

Heavy Duty Door Closers

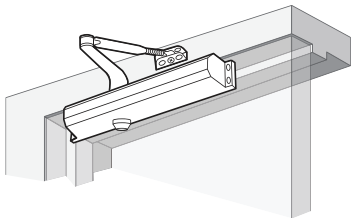


Estimating a door closer's required force

FORCE	EXTERIOR DOOR MAXIMUM DIMENSIONS	INTERIOR DOOR MAXIMUM DIMENSIONS	MAXIMUM DOOR WEIGHT
1	31-1/2" x 70-7/8" (800 x 1800 mm)	35-7/16" x 82-11/16" (900 x 2100 mm)	66 lb (30 kg)
2	35-7/16" x 82-11/16" (900 x 2100 mm)	37-13/32" x 82-11/16" (950 x 2100 mm)	100 lb (45 kg)
3	37-13/32" x 82-11/16" (950 x 2100 mm)	41-11/32" x 94-1/2" (1050 x 2400 mm)	143 lb (65 kg)
4	41-11/32" x 94-1/2" (1050 x 2400 mm)	47-1/4" x 94-1/2" (1200 x 2400 mm)	187 lb (85 kg)
5	47-1/4" x 94-1/2" (1200 x 2400 mm)	47-1/4" x 94-1/2" (1200 x 2400 mm)	265 lb (120 kg)
6	47-1/4" x 94-1/2" (1200 x 2400 mm)	47-1/4" x 94-1/2" (1200 x 2400 mm)	330 lb (150 kg)

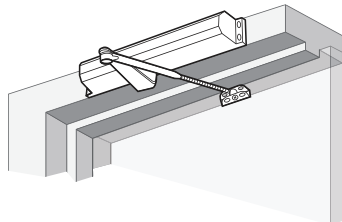
Installation types

Regular arm installation



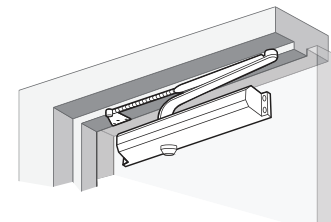
The door closer is installed on the door side where hinges are apparent (pull side).

Top jamb installation



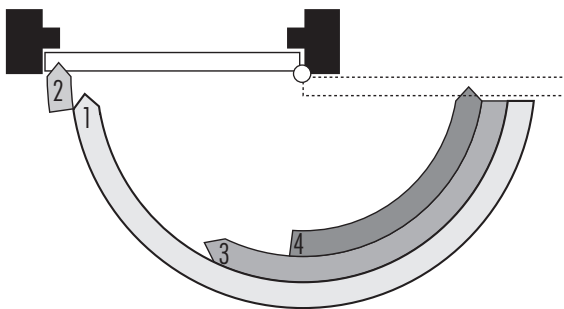
The door closer is installed on the door frame, on the side where hinges are not apparent (push side).

Parallel arm installation



The door closer is installed on the door side where hinges are not apparent (push side).

Closing speed



Zone 1: closing speed

A controlled action which covers 95% of the closing travel.

Zone 2: latching speed

The speed at which the lock engages in the door latch. Proper setting of this speed ensures quiet door operation.

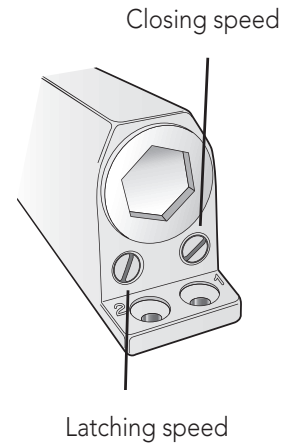
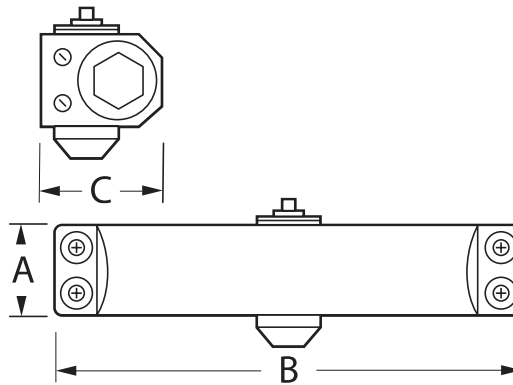
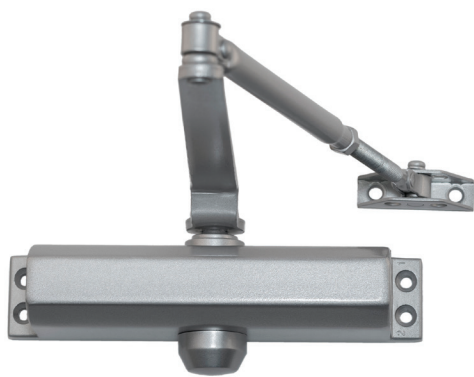
Zone 3: delayed closing action

This mechanism allows a door open at least 65° to remain open for a short amount of time.

Zone 4: back check

Adjustable mechanism which restricts the opening of the door beyond 70° in order to protect an adjacent wall or the door itself. A floor stop is still required to prevent the door from hitting the wall.

Non-adjustable fixed power door closers

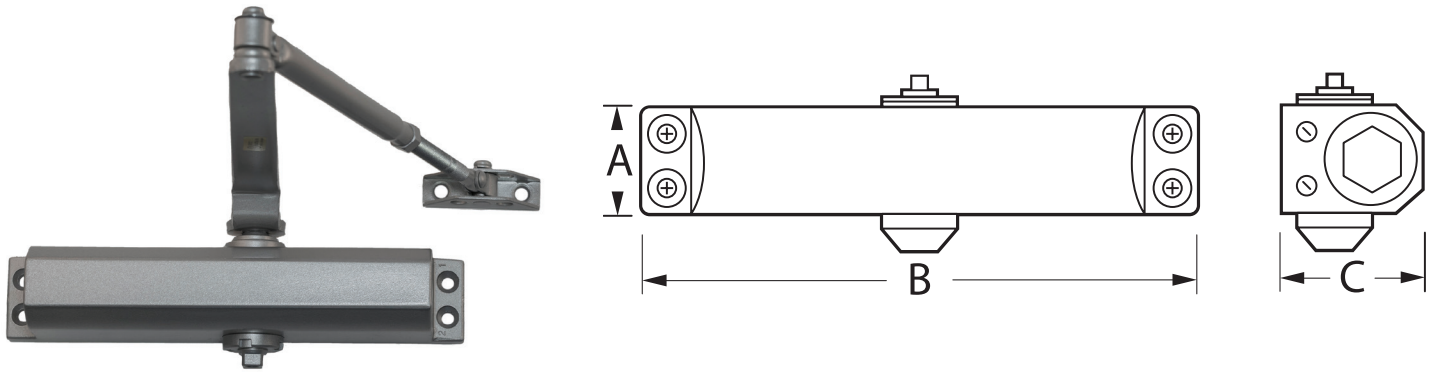


NO.	FINISH	FORCE	COMPONENTS	DOOR WEIGHT	DIMENSIONS	GUARANTEE	FIRE-RESISTANCE	GRADE
1600SI10BC	Silver	1	#1 in body #0	33 - 66 lb (15 - 30 kg)	A: 1-21/32" (42 mm) B: 7-11/64" (182 mm) C: 2-31/64" (63 mm)	5 years	-	ANSI grade 3
1600SI21BC	Silver	2	#2 in body #1	55 - 100 lb (25 - 45 kg)	A: 1-41/64" (42 mm) B: 7-5/8" (194 mm) C: 2-21/32" (67.5 mm)	5 years	-	ANSI grade 2
1600SI22BC	Silver	2	#2 in body #2	55 - 100 lb (25 - 45 kg)	A: 1-49/64" (45 mm) B: 8-7/64" (206 mm) C: 2-27/32" (72.5 mm)	5 years	-	ANSI grade 2
1600SI32BC	Silver	3	#3 in body #2	88 - 145 lb (40 - 65 kg)	A: 1-49/64" (45 mm) B: 8-7/64" (206 mm) C: 2-27/32" (72.5 mm)	5 years	-	ANSI grade 2
1600SI33BC	Silver	3	#3 in body #3	88 - 145 lb (40 - 65 kg)	A: 1-49/64" (45 mm) B: 8-49/64" (223 mm) C: 2-27/32" (72.5 mm)	5 years	-	ANSI grade 2
1600SI44BC	Silver	4	#4 in body #4	175 - 220 lb (80 - 100 kg)	A: 1-51/64" (46 mm) B: 9-41/64" (245 mm) C: 2-53/64" (72 mm)	5 years	-	ANSI grade 2
4441AL	Aluminum	4	#4 body	187 lb max. (85 kg max.)	A: 1-51/64" (46 mm) B: 9-41/64" (245 mm) C: 2-53/64" (72 mm)	5 years	3 Hours	ANSI grade 1
4441BZ	Bronze (C9)	4	#4 body	187 lb max. (85 kg max.)	A: 1-51/64" (46 mm) B: 9-41/64" (245 mm) C: 2-53/64" (72 mm)	5 years	3 Hours	ANSI grade 1
4551AL	Aluminum	5	#5 body	265 lb max. (120 kg max.)	A: 1-51/64" (46 mm) B: 9-41/64" (245 mm) C: 2-53/64" (72 mm)	5 years	3 Hours	ANSI grade 1

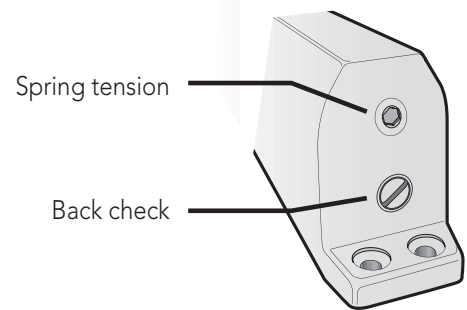
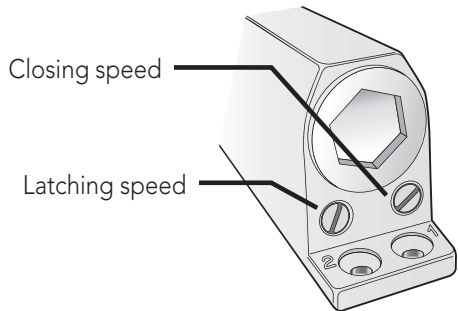
- Compatible with left-hand and right-hand doors
- Adjustable latching and closing speeds
- All mounting hardware included
- Meets UL10C standards
- Meets ANSI A156.4



1036 series adjustable door closers



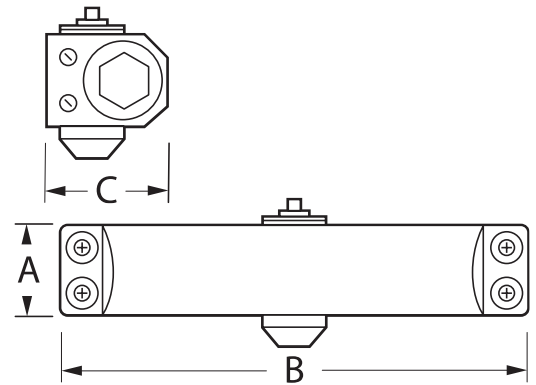
NO.	FINISH	FORCE	DOOR WEIGHT	DIMENSIONS	GUARANTEE	FIRE-RESISTANCE	GRADE
1036AL	Aluminum	3 - 6	99 - 330 lb (45 - 150 kg)	A: 1-51/64" (46 mm) B: 9-41/64" (245 mm) C: 2-53/64" (72 mm)	5 years	3 Hours	ANSI grade 1
1036BZ	Bronze (C9)	3 - 6	99 - 330 lb (45 - 150 kg)	A: 1-51/64" (46 mm) B: 9-41/64" (245 mm) C: 2-53/64" (72 mm)	5 years	3 Hours	ANSI grade 1



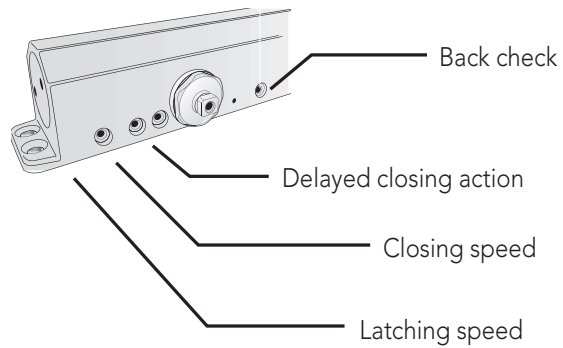
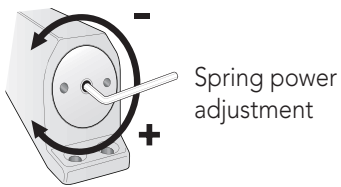
- Compatible with left-hand and right-hand doors
- Adjustable latching and closing speeds
- All mounting hardware included
- Meets UL10C standards
- Meets ANSI A156.4



9016 series adjustable door closers



NO.	FINISH	FORCE	TYPE	DOOR WEIGHT	DIMENSIONS	GUARANTEE	FIRE-RESISTANCE	GRADE
9016AL	Aluminum	2 - 6	Non hold open	66 - 330 lb (30 - 150 kg)	A: 2" (51 mm) B: 11-27/32" (301 mm) C: 2-23/64" (60 mm)	10 years	3 Hours	ANSI grade 1
9016HAL	Aluminum	2 - 6	Hold open	66 - 330 lb (30 - 150 kg)	A: 2" (51 mm) B: 11-27/32" (301 mm) C: 2-23/64" (60 mm)	10 years	3 Hours	ANSI grade 1
9016CSAL	Aluminum	2 - 6	Cushion stop	66 - 330 lb (30 - 150 kg)	A: 2" (51 mm) B: 11-27/32" (301 mm) C: 2-23/64" (60 mm)	10 years	3 Hours	ANSI grade 1
9016CSHAL	Aluminum	2 - 6	Cushion stop, hold open	66 - 330 lb (30 - 150 kg)	A: 2" (51 mm) B: 11-27/32" (301 mm) C: 2-23/64" (60 mm)	10 years	3 Hours	ANSI grade 1



- Compatible with left-hand and right-hand doors
- Adjustable latching and closing speeds
- All mounting hardware included
- Meets UL10C standards
- Meets ANSI A156.4
- Meets ADA requirement



9016 series parts and accessories

9016CSA
Cushion stop arm



9016MAA
Standard main arm



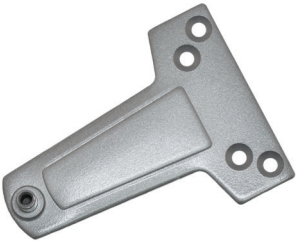
9016DP
Drop plate



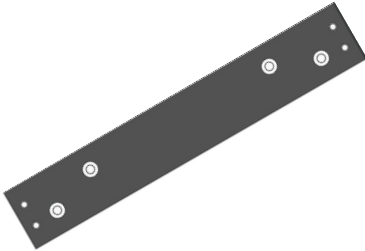
9016HCSA
Cushion stop arm, hold open arm



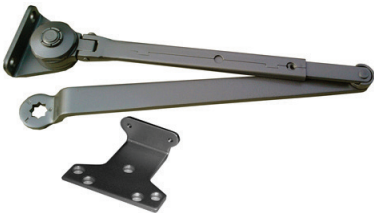
9016PB
Parallel bracket



9016NDP
Narrow drop plate



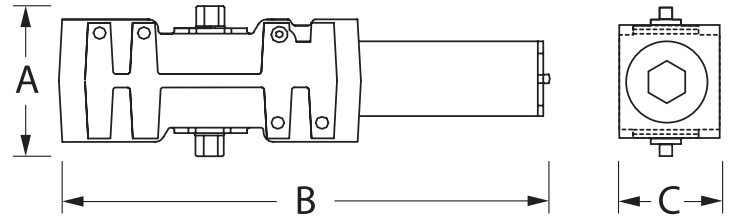
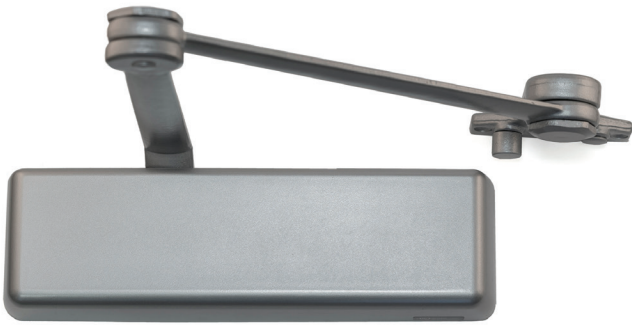
9016HA
Hold-open arm



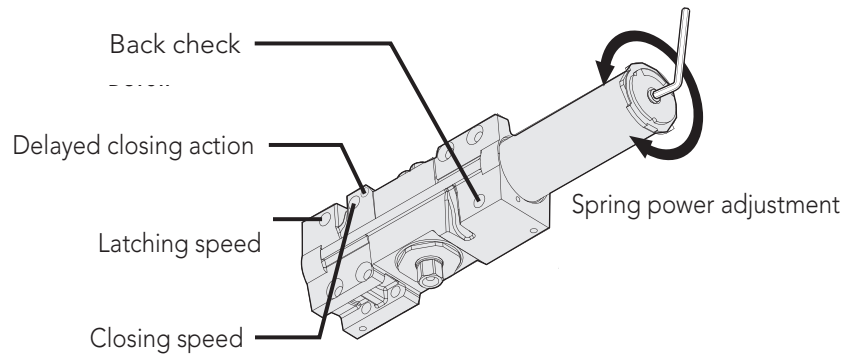
9016B
Full-body assembly



4001 series adjustable door closers



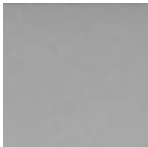
NO.	FINISH	FORCE	TYPE	DOOR WEIGHT	DIMENSIONS	GUARANTEE	FIRE-RESISTANCE	GRADE
4001AL	Aluminum	1 - 6	Non hold open	330 lb max. (150 kg max.)	A: 3-37/64" (91 mm) B: 11-7/64" (285 mm) C: 2" (51 mm)	10 years	3 Hours	ANSI grade 1
4001CNSAL	Aluminum	1 - 6	Cushion stop	330 lb max. (150 kg max.)	A: 3-37/64" (91 mm) B: 11-7/64" (285 mm) C: 2" (51 mm)	10 years	3 Hours	ANSI grade 1
4001CSHAL	Aluminum	1 - 6	Cushion stop, hold open	330 lb max. (150 kg max.)	A: 3-37/64" (91 mm) B: 11-7/64" (285 mm) C: 2" (51 mm)	10 years	3 Hours	ANSI grade 1



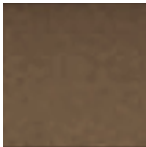
- Compatible with left-hand and right-hand doors
- Adjustable latching and closing speeds
- All mounting hardware included
- Meets UL10C standards
- Meets ANSI A156.4
- Meets ADA requirement



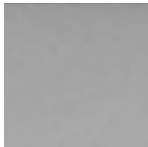
Finishes



Aluminum



Bronze (C9)



Silver

