

Concealed Hinges



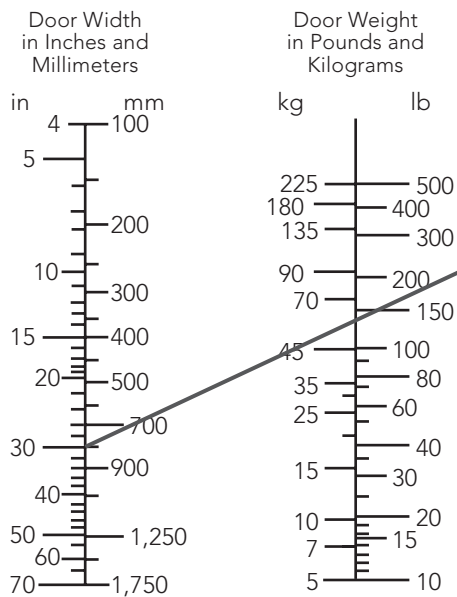
HINGE SELECTION CHART

The nomograph has been developed to assist in determining the correct size and number of hinges for your installation.

To determine the number of hinges required:

Every door should use at least one hinge for every 30 inches in height or portion thereof; however, more hinges may be required as per chart below.

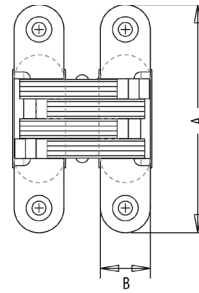
After determining the weight and width of the door, draw a straight line through the door width and weight to "Line A", as indicated in the example. Continue with the horizontal line sideways from the point of intersection with "Line A" until the door thickness is reached. Use the number of hinges and the model number indicated on this line.



HINGE NUMBER	100	101	303	103	203	204	208	212	216	218	220
Door Material	WOOD AND METAL										
Minimum Door Thickness	1/2"	11/16"		3/4"		1"	1-1/8"	1-3/8"	1-3/4"	2"	
	12.70 mm	17.46 mm		19.05 mm		25.40 mm	28.56 mm	34.93 mm	44.45 mm	50.80 mm	
Line A										4	3
Number of hinges required									4	3	
								4	3		
								4	3		
								4	3		
								4	3		
								4	3		
								4	3		
								4	3		
								4	3		
								4	3		
HINGE NUMBER	100	101	303	103	203	204	206	212	216	218	220

SOSS CONCEALED HINGE

Richelieu's concealed hinges offer superior appearance and durability with contemporary and functional style. They easily install and can be used for many applications on wood or metal doors to meet all your needs.



Steel construction

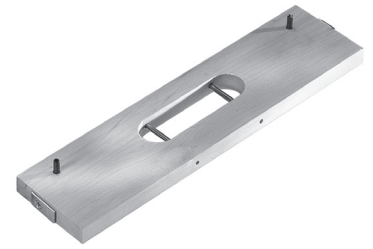
MODEL	NO.	DOOR THICKNESS	A	B	MODEL	NO.	DOOR THICKNESS	A	B	MODEL	NO.	DOOR THICKNESS	A	B	
#100	420100145	12.7 mm (1/2")	25.4 mm (1")	9.5 mm (3/8")		429208140					429216180				
	420100160					429208145					429216185				
#101	420101145	12.7 mm (1/2")	43 mm (1-11/16")	9.5 mm (3/8")		429208160				#216*	42921690	35 mm (1-3/8")	117.5 mm (4-5/8")	25.4 mm (1")	
	420101160					429208180	25.4 mm (1")	69.9 mm (2-3/4")	15.9 mm (3/8")		429216AE				
#103	420103145	19 mm (3/4")	38.1 mm (1-1/2")	12.7 mm (1/2")	#208	429208185					429216ORB				
	420103160					42920890					429218130				
#203	420203130					429208AE				#218*	429218140				
	420203140					429208ORB					429218145				
	420203145	19 mm (3/4")	60.3 mm (2-3/8")	60.3 mm (2-3/8")		429212130					429218160				
	420203160					429212140					429218180	44.5 mm (1-3/4")	117.5 mm (4-5/8")	28.6 mm (1-1/8")	
	420203185					429212145					429218185				
#204	420204130				#212	429212160					42921890				
	420204140					429212180	28.6 mm (1-1/8")	95.3 mm (3-3/4")	19.1 mm (3/4")		429218AE				
	420204145					429212185					429218ORB				
	420204160					42921290					429220130				
	420204180	25.4 mm (1")	69.9 mm (2-3/4")	15.9 mm (5/8")		429212AE					429220140				
#208	429208130	25.4 mm (1")	69.9 mm (2-3/4")	15.9 mm (5/8")	#216	429212ORB				#220*	429220145	50.8 mm (2")	139.7 mm (5-1/2")	34.9 mm (1-3/8")	
						429216130					429220160				
						429216140	35 mm (1-3/8")	17.5 mm (4-5/8")	25.4 mm (1")		429220185				
						429216145					#303	420303145	17.5 mm (11/16")	38.1 mm (1-1/2")	12.7 mm (1/2")
						429216160					420303160				

* Fire Resistance - 20 min. (UL #R13634)

Please see "Hinge Selection Chart" for which hinges to use based on door weight and width. Ensure usage of matching router template for proper installation.

TEMPLATE FOR SOSS CONCEALED HINGE

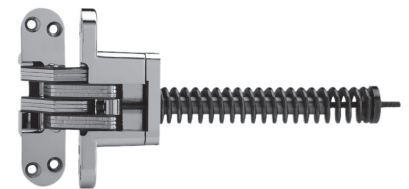
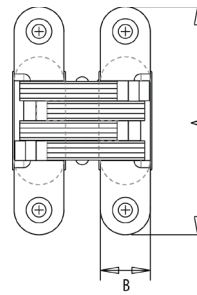
Concealed hinges can now be installed faster and easier than ever before with our drilling templates. Each template is individually handcrafted for precision. Templates are mounted on the door with the help of nails, while guide pins locate the deep mortise.



NO.	DRILL BIT	FOR HINGE #
420101	1/4"	101
420103	3/8"	103
420203	3/8"	203
420204	3/8"	204
420208	3/8"	208
420212	3/8"	212
420216	1/2"	216
420218	1/2"	218
420220	1/2"	220

SOSS CONCEALED SPRING HINGE

Richelieu's invisible spring hinges offer a spring closer that is totally invisible from either side when the door is closed. The closure rate is completely adjustable with an allen wrench after installation, and does not require removal of the spring closer. Hinge open 180° and are a single action hinge.



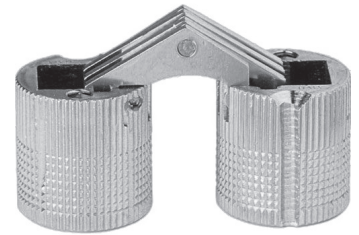
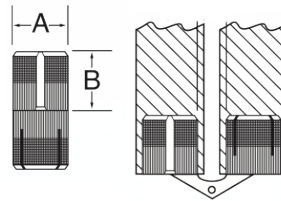
Steel construction

MODEL	NO.	DOOR THICKNESS	A	B
#216IC	421216145	1-3/8" (35 mm)	4-5/8" (117.5 mm)	1" (25.4 mm)
	421216160			
	421216185			
#218IC	421218145	1-3/4" (44.5 mm)	4-5/8" (117.5 mm)	1-1/8" (28.6 mm)
	421218160			
	421218185			
#220IC	421220145	2" (50.8 mm)	5-1/2" (139.7 mm)	1-3/8" (34.9 mm)
	421220160			
	421220185			

* Fire Resistance - 20 min. (UL #R13638)

SOSS CONCEALED BARREL HINGE

Richelieu's concealed barrel hinges are easily installed and are invisible from either side when the door is closed. Barrel hinges are not recommended for vertical or load-bearing applications.

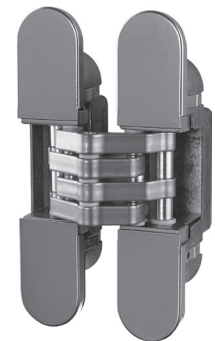
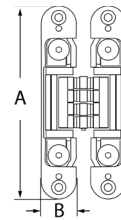


Solid brass with brass links

MODEL	NO.	DOOR THICKNESS	A	B
#104	420104130	1/2" (12.7 mm)	Ø3/8" (10 mm)	7/16" (11.5 mm)
#124	420124130	5/8" (15.8 mm)	Ø15/32" (12 mm)	7/32" (13.3 mm)
#144	420144130	3/4" (19 mm)	Ø9/16" (14 mm)	19/32" (15.5 mm)
#164	420164130	7/8" (22 mm)	Ø5/8" (16 mm)	21/32" (16.5 mm)
#184	420184130	1-1/8" (28.6 mm)	Ø23/32" (18 mm)	23/32" (18 mm)
#244	420244130	1-1/4" (32 mm)	Ø15/16" (24 mm)	31/32" (24.9 mm)

CONCEALED ADJUSTABLE HINGE

Richelieu's concealed adjustable hinges offer three axis adjustment — vertical, horizontal and depth — after installation. They are easy to install and invisible from either side when the door is closed.



Steel construction with Zinc alloy finish

NO.	DOOR THICKNESS	A	B	MAX. CAPACITY (2 HINGES)	MAX. CAPACITY (3 HINGES)
896000106*	1" (25.4 mm)	5-1/2" (140 mm)	1" (25.4 mm)	-	40 kg (88 lb)
896001106*	1-3/8" (35 mm)	5-1/2" (140 mm)	1-3/16" (30 mm)	-	60 kg (132 lb)
896002106*	1-3/8" (35 mm)	5-1/2" (140 mm)	1-3/16" (30 mm)	-	80 kg (176 lb)
753160166	1-3/8" (35 mm)	6-19/64" (160 mm)	1-7/32" (31 mm)	45 kg (99 lb)	60 kg (132 lb)
753190175	1-3/8" (35 mm)	7-1/2" (190 mm)	1-3/8" (34 mm)	45 kg (99 lb)	60 kg (132 lb)
753190090	1-3/8" (35 mm)	7-1/2" (190 mm)	1-3/8" (34 mm)	100 kg (220lb)	125 kg (275 lb)
753190195	1-3/8" (35 mm)	7-1/2" (190 mm)	1-3/8" (34 mm)	100 kg (220 lb)	125 kg (275 lb)

FINISH CHART

CODE	FINISH
90	Black
106	Silver
130	Brass
140	Chrome
145	Satin Chrome
160	Satin Brass

CODE	FINISH
166	Gold
171	Polished Stainless Steel
174	Silver
175	Dull Chrome
180	Nickel
185	Satin Nickel

CODE	FINISH
190	Old Copper
195	Dull Nickel
900	Matte Black
AE	Antique English
ORB	Oil-Rubbed Bronze

3 DIMENSIONAL ADJUSTABLE SELF-CLOSING HINGE

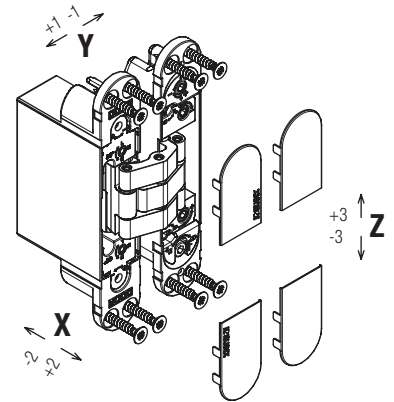
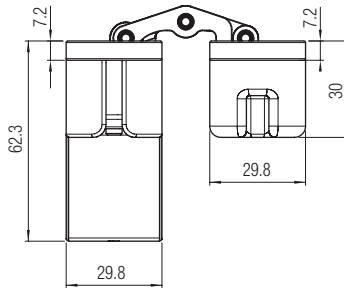
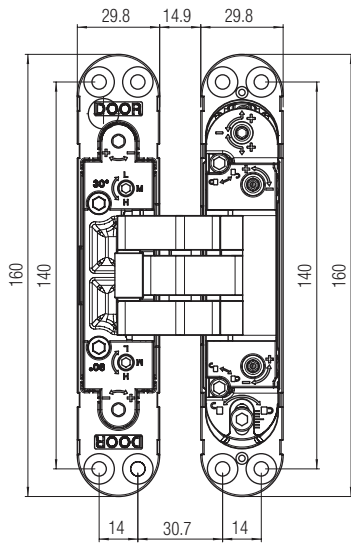
The KUBI7 Kubica Twist Series (802000) design allows self-closing while maintaining a clean appearance for more versatile door layouts and construction.

K2000 TWIST

SERIES 802000

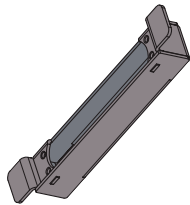
TECHNICAL DATA	
Maximum Capacity (3 Hinges)	60 kg
Minimum Door Thickness	40 mm
Opening Angle	180°
Box	3
Case	6

FINISH	
Satin Chrome	802000SC
Satin Nickel	802000SN



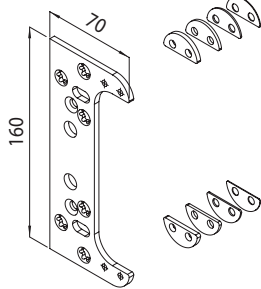
3 DIMENSIONAL ADJUSTABLE SELF-CLOSING HINGE

Steel Frame Mounting Plate



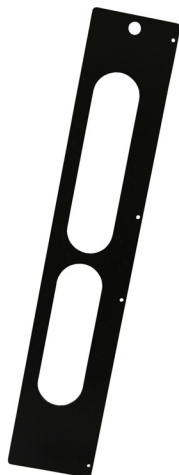
80K708TASCA

Wood Frame Mounting Plate

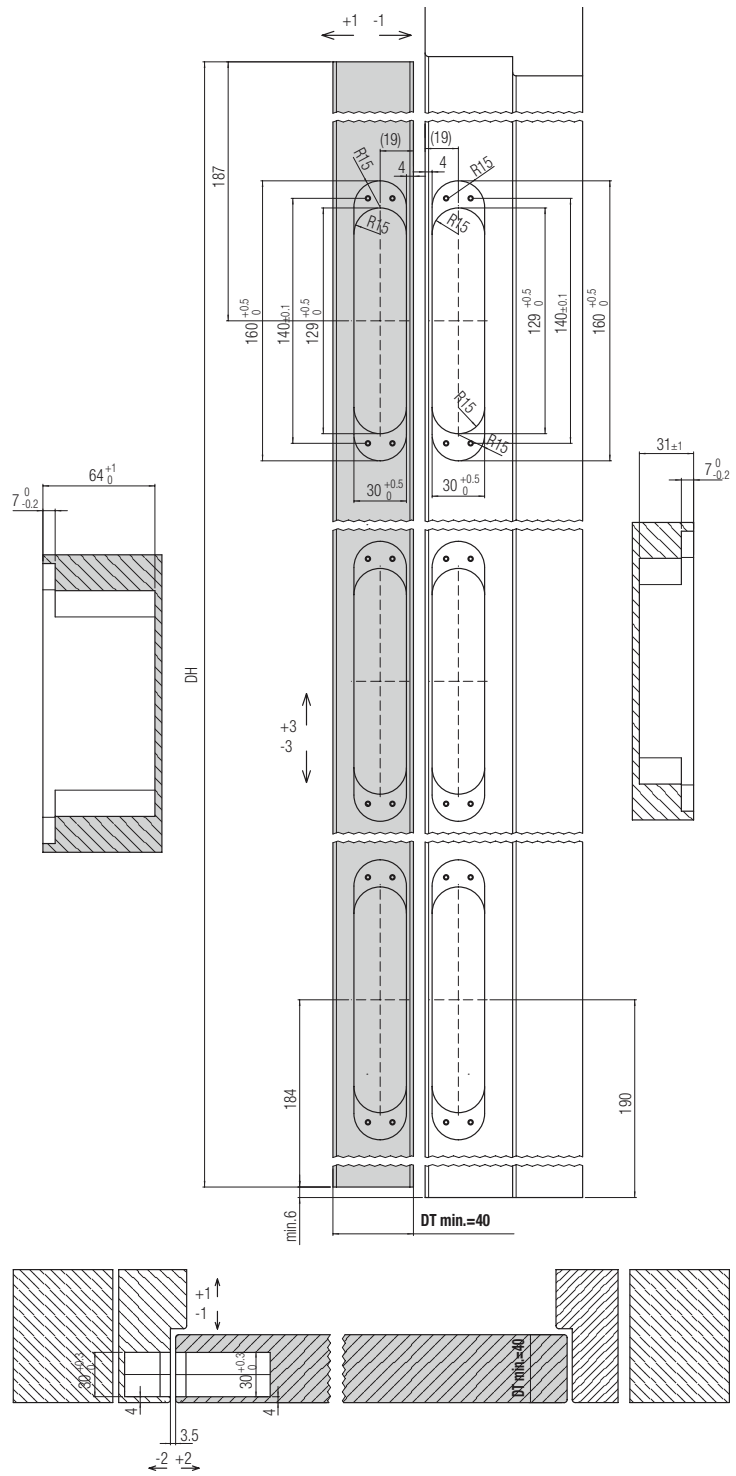


80K708STAFFA

Routing Template



80K708



DH	Door Height
DT	Door Thickness

3 DIMENSIONAL ADJUSTABLE HINGE

KUBI 17 K7000

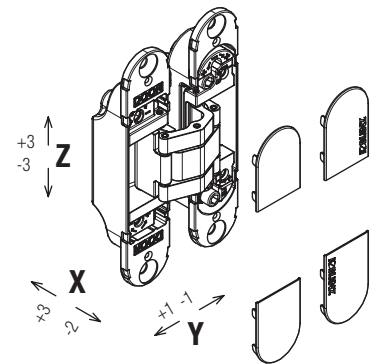
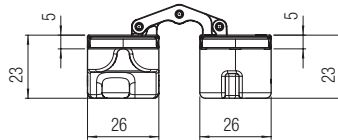
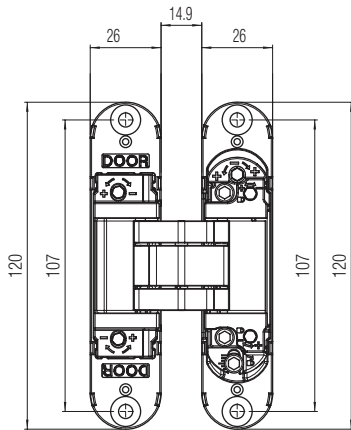
SERIES 807000

TECHNICAL DATA		FINISH	
Maximum Capacity (2 Hinges)	40 kg	Black	807000BL
Maximum Capacity (3 Hinges)	50 kg	Polished Chrome	807000PC
Minimum Door Thickness	35 mm	Polished Gold	807000PG
Opening Angle	180°	Satin Chrome	807000SC
Box	3	Satin Nickel	807000SN
Case	12		



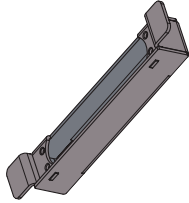
STANDARDS AND CERTIFICATIONS

- UL / ULc / UL10C Listed (R27182)
- CE Rated



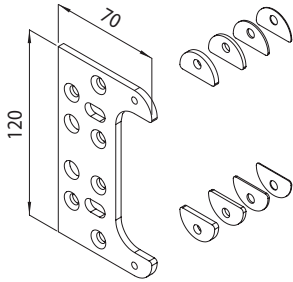
3 DIMENSIONAL ADJUSTABLE HINGE

Steel Frame Mounting Plate



80K700TASCA

Wood Frame Mounting Plate

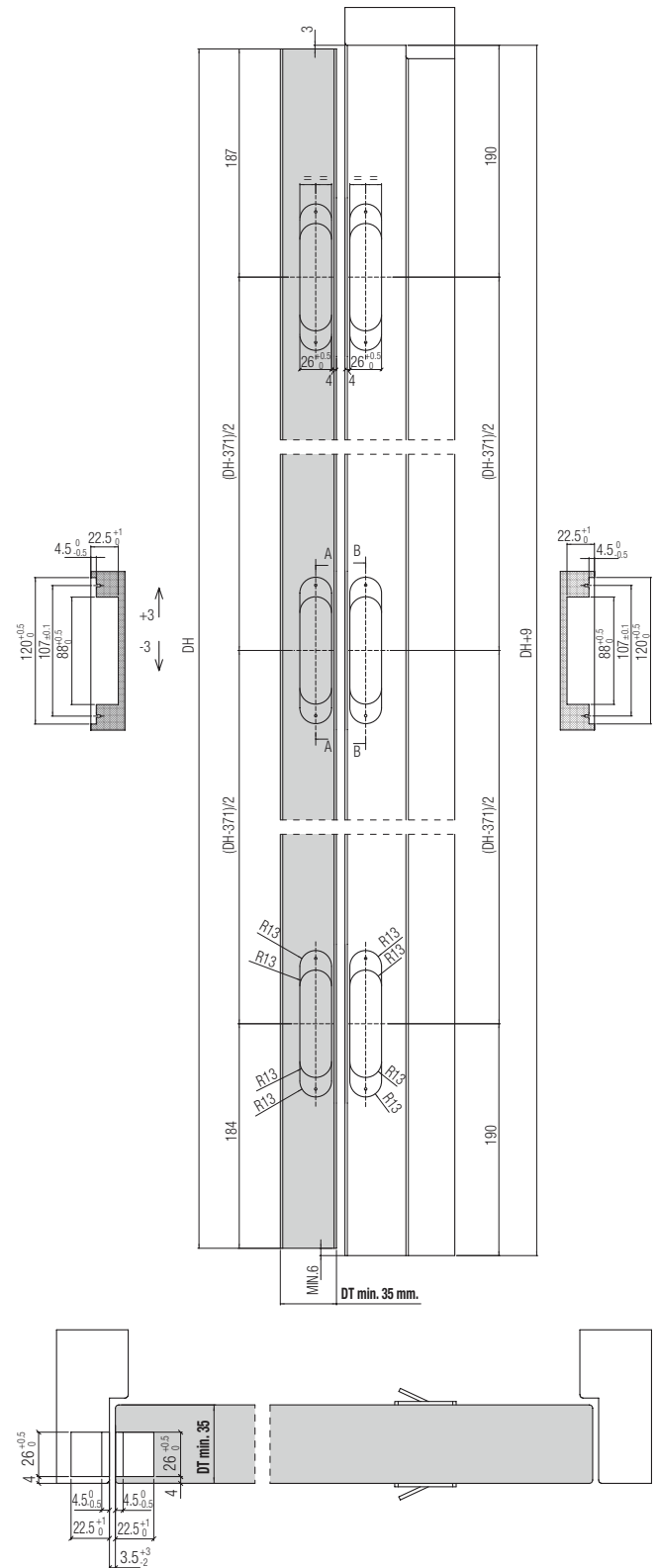


80K700STAFFA

Routing Template



80K700



3 DIMENSIONAL ADJUSTABLE HINGE

KUBI7 K7120

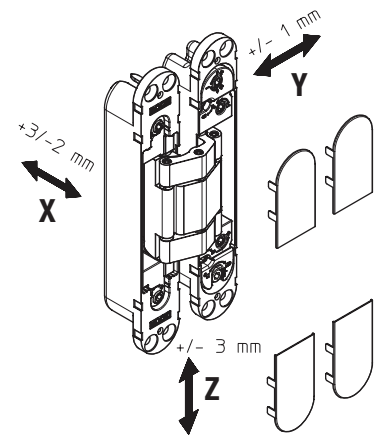
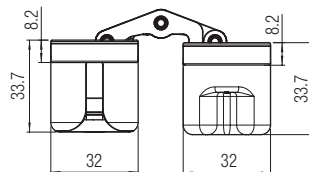
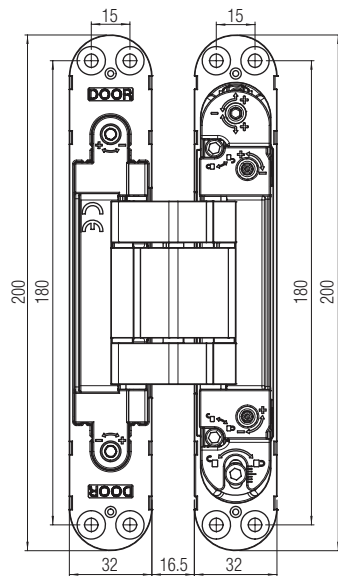
SERIES 807120

TECHNICAL DATA		FINISH	
Maximum Capacity (2 Hinges)	120 kg	Satin Chrome	807120SC
Maximum Capacity (3 Hinges)	140 kg	Satin Nickel	807120SN
Minimum Door Thickness	40 mm	Steel	807120ST
Opening Angle	180°		
Box	3		
Case	6		



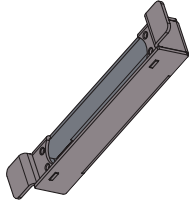
STANDARDS AND CERTIFICATIONS

- UL / ULc / UL10C Listed (R27182)
- CE Rated
- Fire Resistance - 30 min.



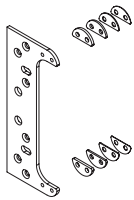
3 DIMENSIONAL ADJUSTABLE HINGE

Steel Frame Mounting Plate



80K712TASCA

Wood Frame Mounting Plate

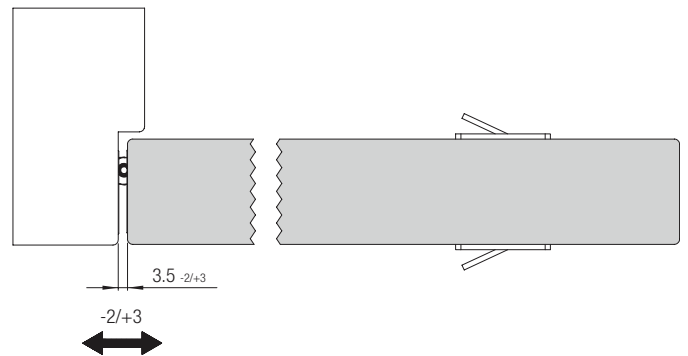
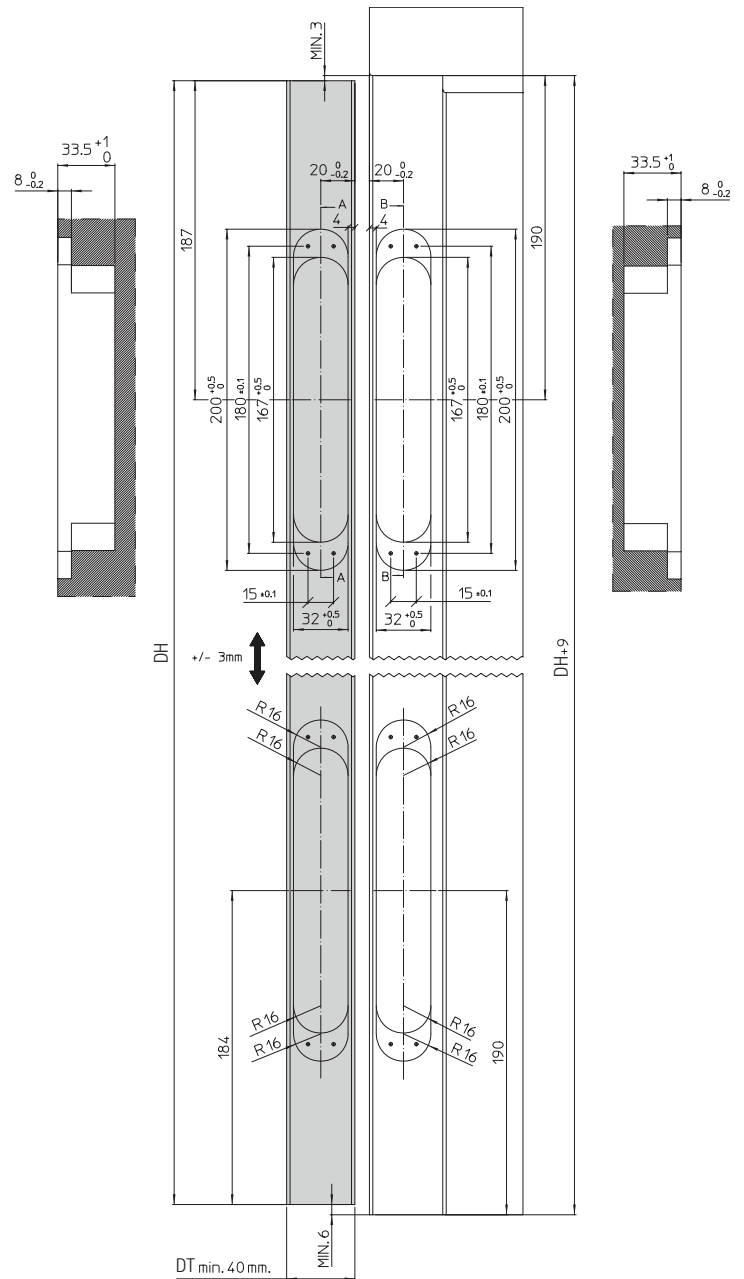


80K712STAFFA

Routing Template



80K7120



3 DIMENSIONAL ADJUSTABLE HINGE

KUBI7 K7080

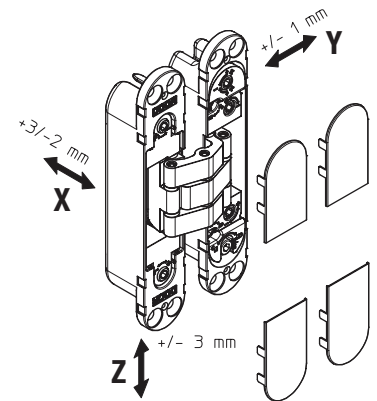
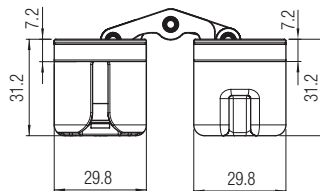
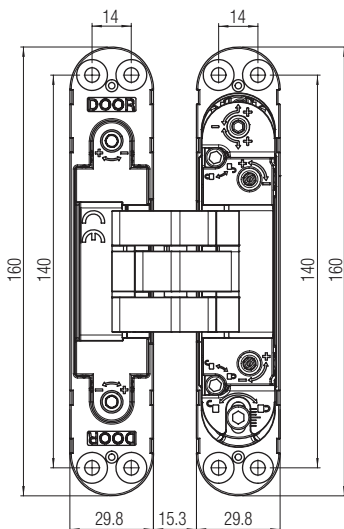
SERIES 807080

TECHNICAL DATA		FINISH	
Maximum Capacity (2 Hinges)	80 kg	Polished Chrome	807080PC
Maximum Capacity (3 Hinges)	100 kg	Polished Gold	807080PG
Minimum Door Thickness	40 mm	Satin Chrome	807080SC
Opening Angle	180°	Satin Nickel	807080SN
Box	2	Steel	807080ST
Case	12	Polished White	807080W



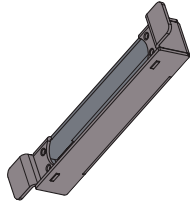
STANDARDS AND CERTIFICATIONS

- UL / ULc / UL10C Listed (R27182)
- CE Rated



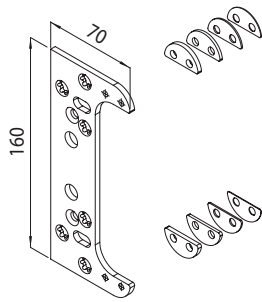
3 DIMENSIONAL ADJUSTABLE HINGE

Steel Frame Mounting Plate



80K7080TASCA

Wood Frame Mounting Plate

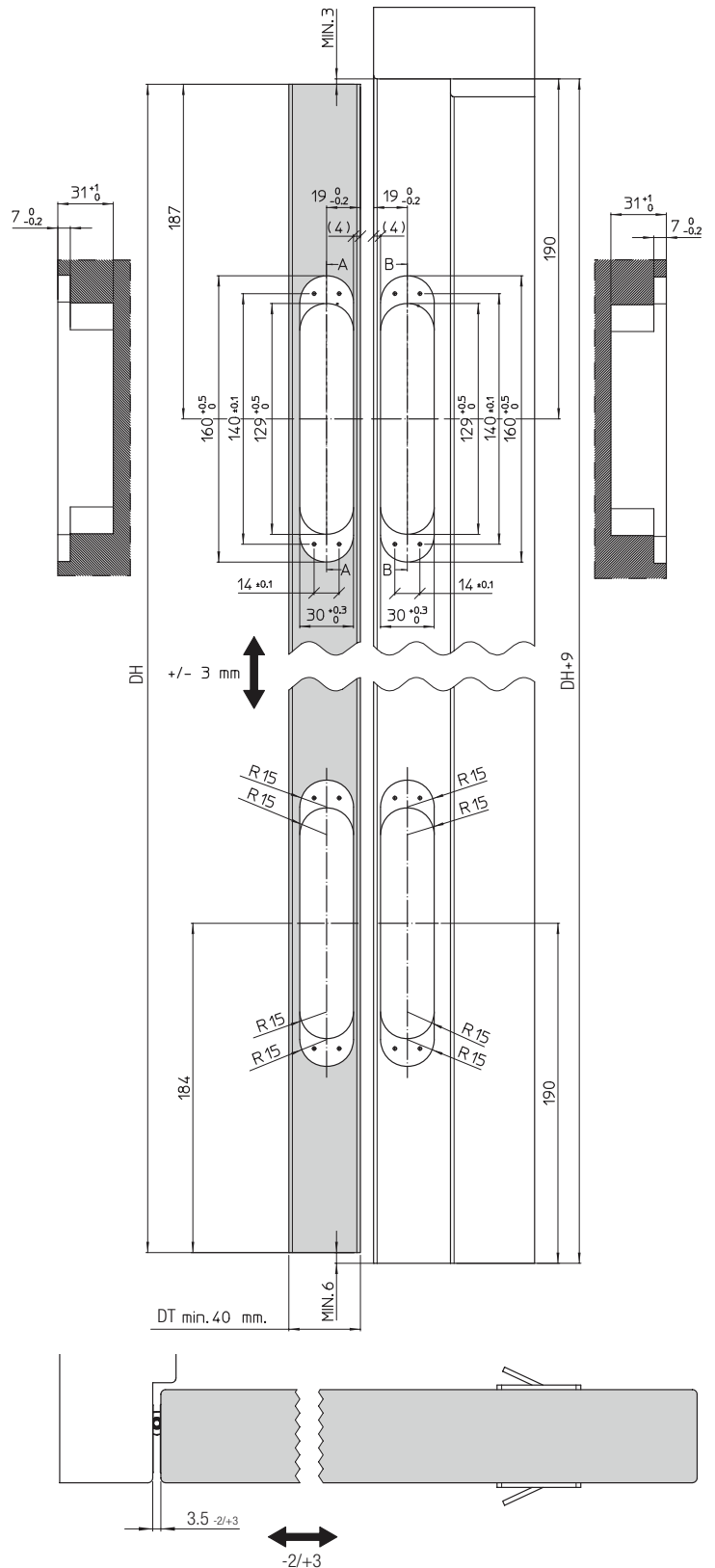


80K7080STAFFA

Routing Template



80K7080



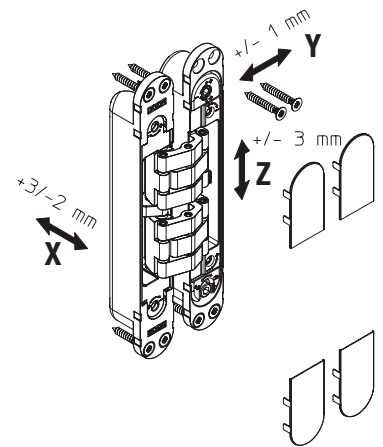
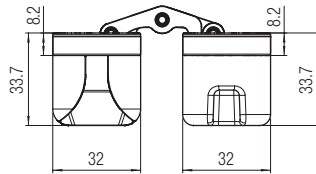
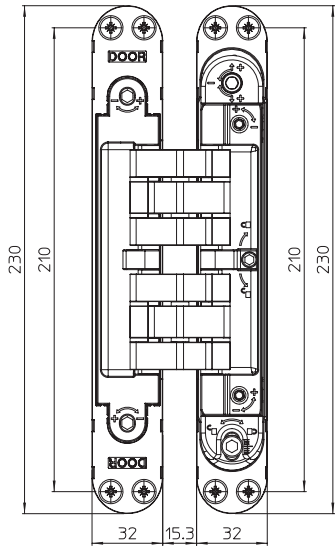
3 DIMENSIONAL ADJUSTABLE HINGE

KUBI 7 K7200

SERIES 807200

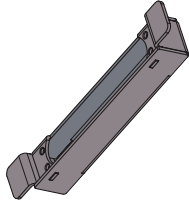
TECHNICAL DATA	
Maximum Capacity (2 Hinges)	200 kg
Minimum Door Thickness	40 mm
Opening Angle	180°
Box	2
Case	6

FINISH	
Satin Chrome	807200SC
Satin Nickel	807200SN



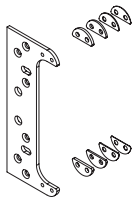
3 DIMENSIONAL ADJUSTABLE HINGE

Steel Frame Mounting Plate



80720TASCA

Wood Frame Mounting Plate

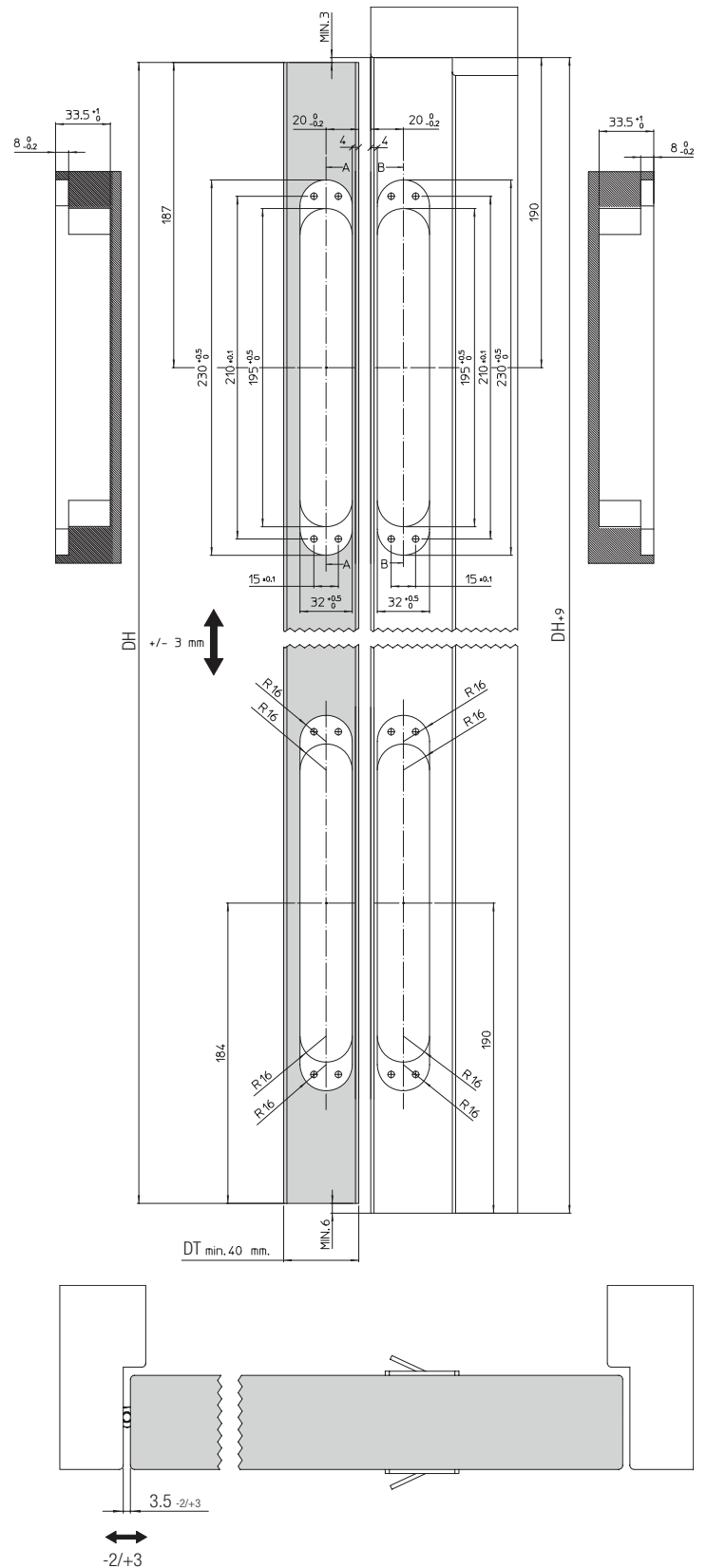


8072STAFFA

Routing Template



80K720



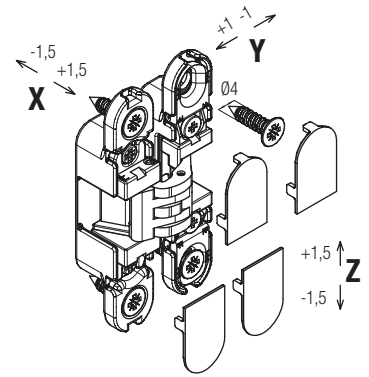
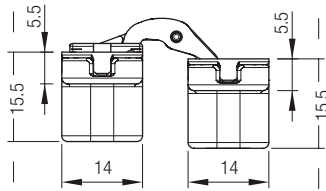
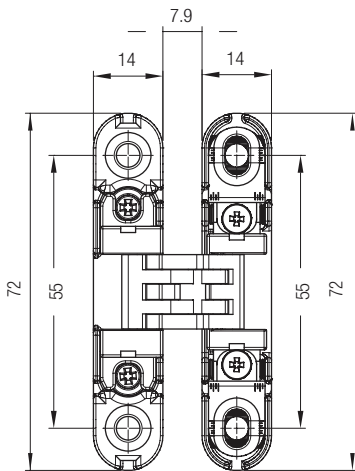
3 DIMENSIONAL ADJUSTABLE HINGE

KUBIKINA K6100

SERIES 806100

TECHNICAL DATA	
Maximum Capacity (2 Hinges)	10.5 kg
Maximum Capacity (3 Hinges)	14 kg
Maximum Capacity (4 Hinges)	19 kg
Minimum Door Thickness	18 mm
Maximum Door Thickness	600 mm
Opening Angle	180°
Case	30

FINISH	
Black	806100BL
Satin Chrome	806100SC



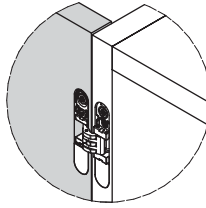
3 DIMENSIONAL ADJUSTABLE HINGE

Routing Template

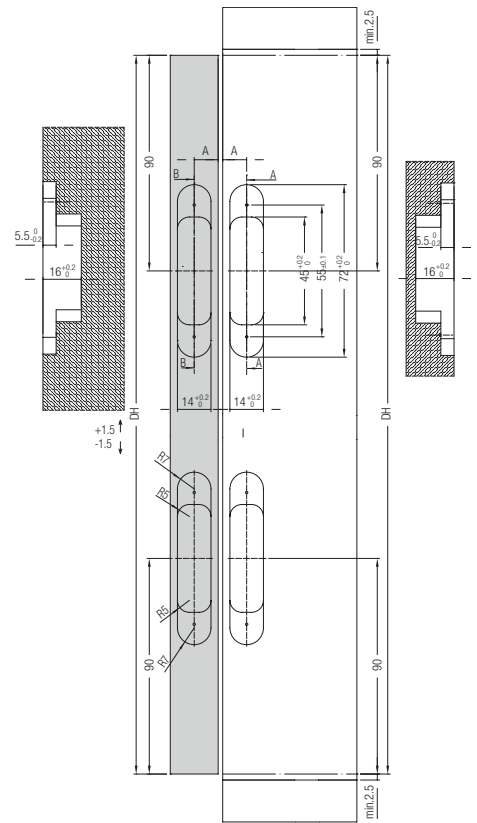
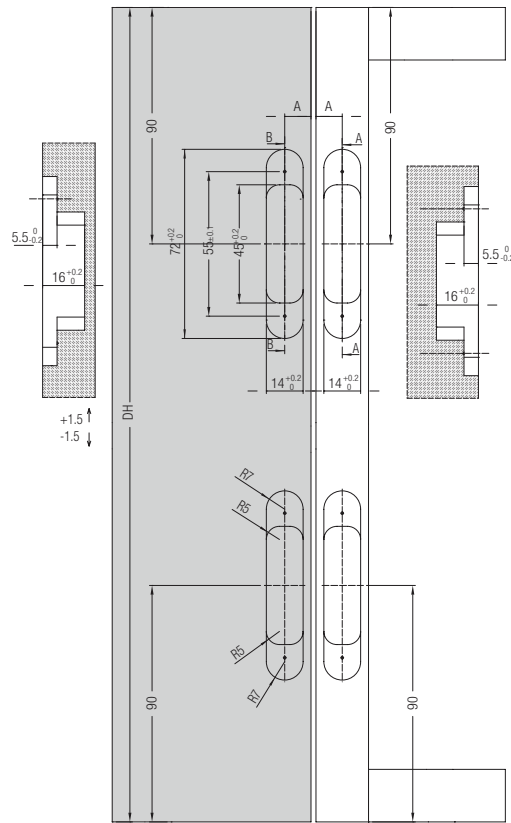
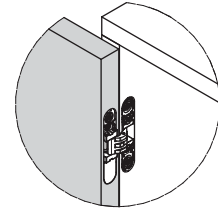


80K610

Mounting Inside the Box



Mounting Outside the Box



3 DIMENSIONAL ADJUSTABLE HINGE

ATOMIKA K8000

SERIES 808000

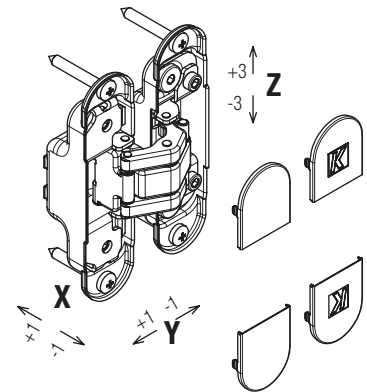
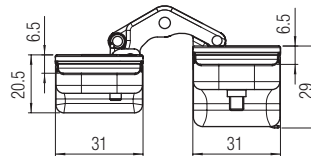
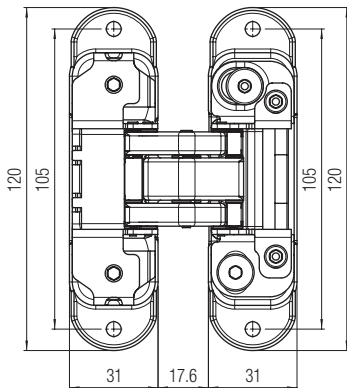
TECHNICAL DATA	
Maximum Capacity (2 Hinges)	60 kg
Minimum Door Thickness	38 mm
Maximum Door Thickness	45 mm
Opening Angle	180°
Box	2
Case	20

FINISH	
Satin Chrome	808000SC
Satin Nickel	808000SN



STANDARDS AND CERTIFICATIONS

- UL / ULc / UL10C Listed (R27182)
- Fire Resistance - 30 min.

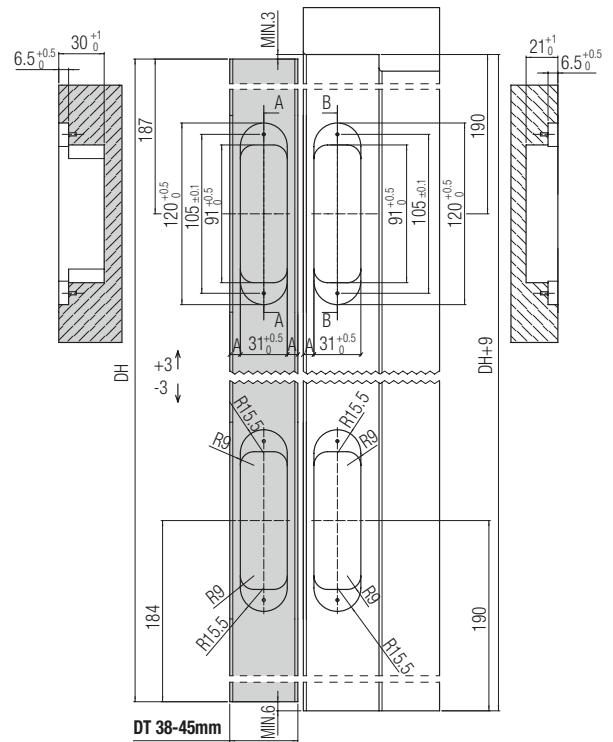


3 DIMENSIONAL ADJUSTABLE HINGE

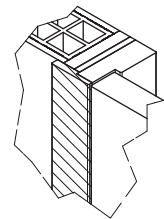
Routing Template



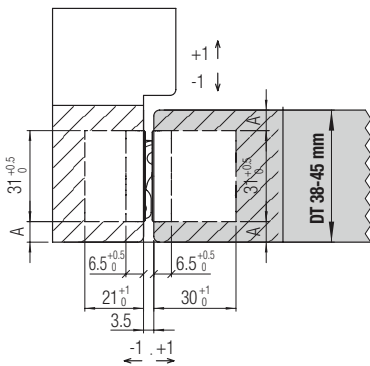
80K800



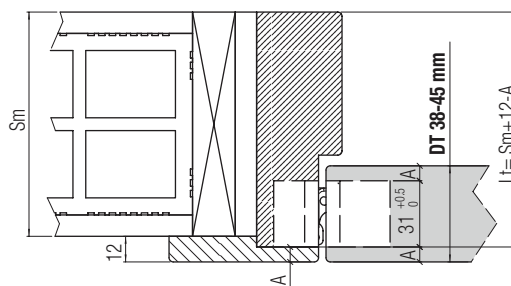
Door Leaf Flush with Door Frame



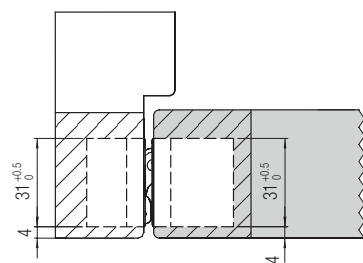
Hinge Centered on Door Leaf



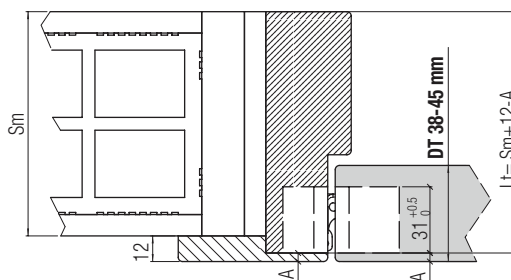
Hinge Centered on Door Leaf



Hinge Non-Centered on Door Leaf



Hinge Non-Centered on Door Leaf



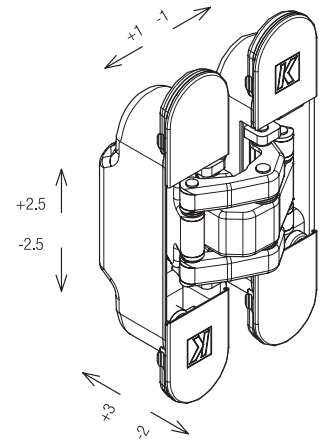
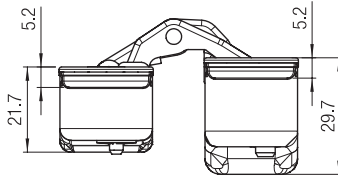
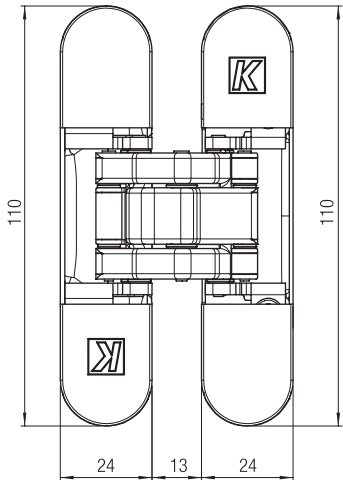
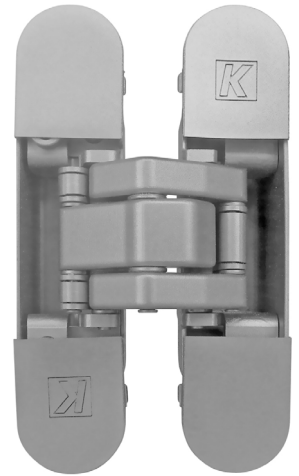
DT (MM)	A (MM)
38	3.5
39	4
40	4.5
41	5
42	5.5
43	6
44	6.5
45	7

3 DIMENSIONAL ADJUSTABLE HINGE

ATOMIKA SLIM K8060

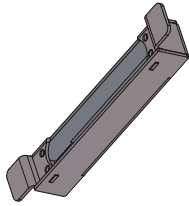
SERIES 808060

TECHNICAL DATA		FINISH	
Maximum Capacity (2 Hinges)	60 kg	Satin Chrome	808060SC
Minimum Door Thickness	32 mm	Satin Nickel	808060SN
Opening Angle	180°		
Box	2		
Case	10		



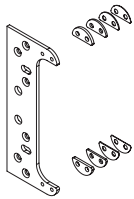
3 DIMENSIONAL ADJUSTABLE HINGE

Steel Frame Mounting Plate



80K806TASCA

Wood Frame Mounting Plate

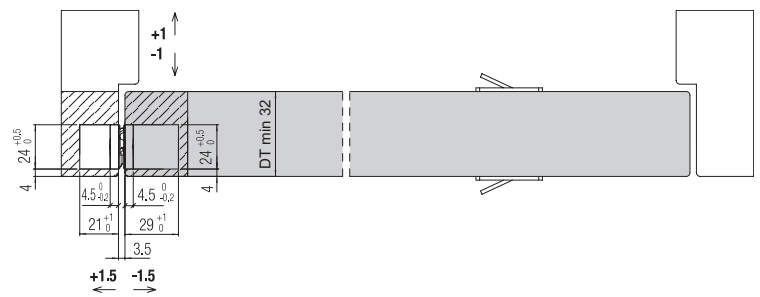
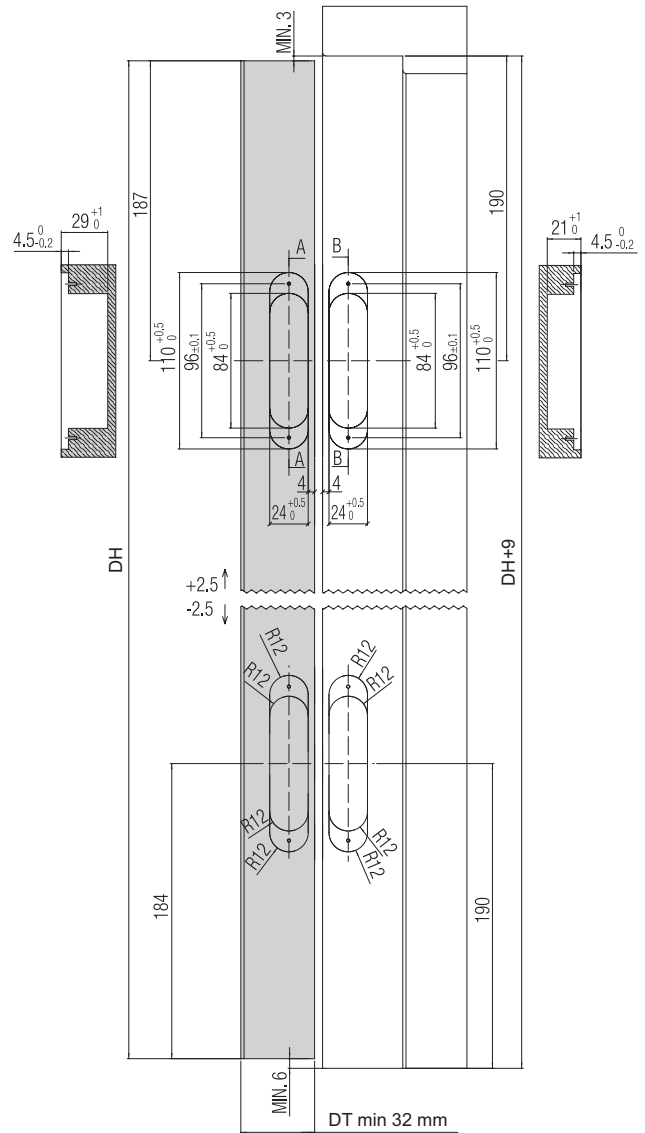


80K806STAFFA

Routing Template



80K8060



3 DIMENSIONAL ADJUSTABLE HINGE

KUBICA K2400

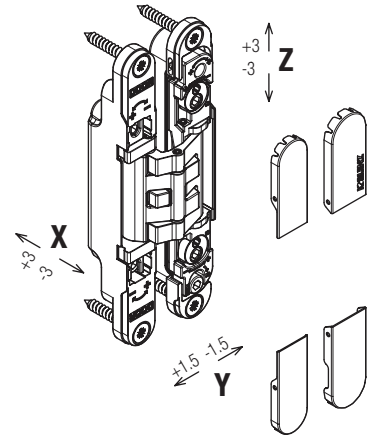
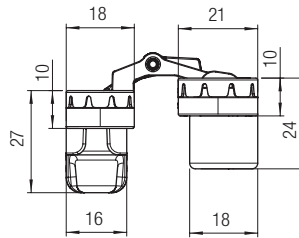
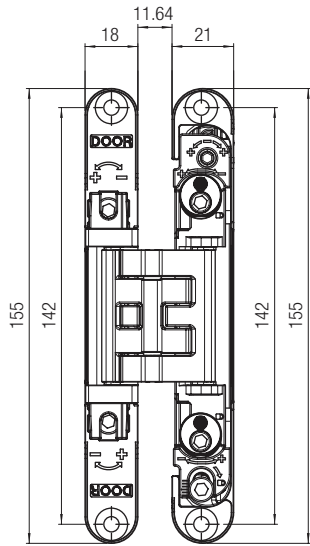
SERIES 802400

TECHNICAL DATA		FINISH	
Maximum Capacity (2 Hinges)	40 kg	Satin Chrome	802400SC
Maximum Capacity (3 Hinges)	52 kg	Satin Nickel	802400SN
Minimum Door Thickness	25 mm		
Opening Angle	180°		
Box	2		
Case	12		



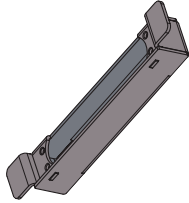
STANDARDS AND CERTIFICATIONS

- Fire Resistance - 30 min.



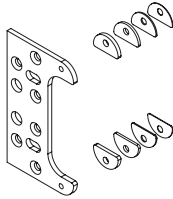
3 DIMENSIONAL ADJUSTABLE HINGE

Steel Frame Mounting Plate



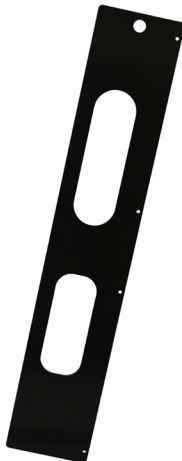
80K240TASCA

Wood Frame Mounting Plate

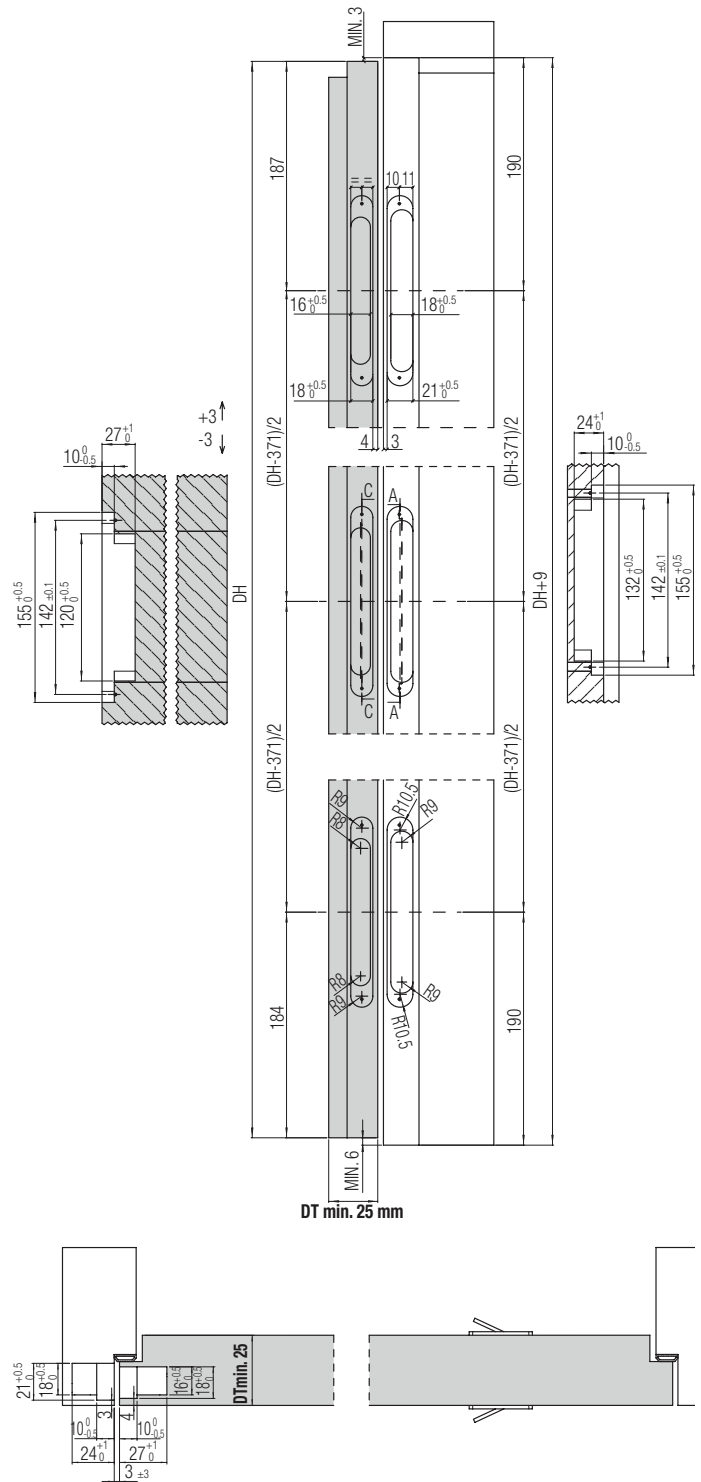


80K240STAFFA

Routing Template



80K240



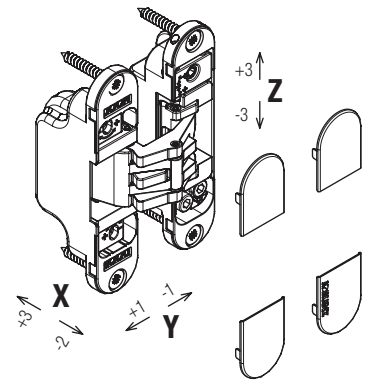
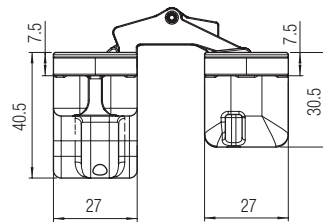
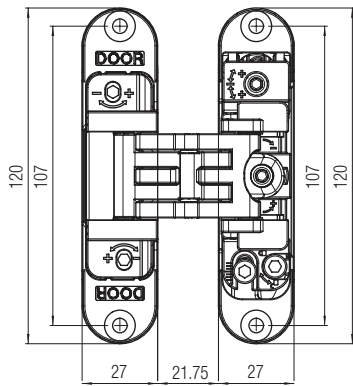
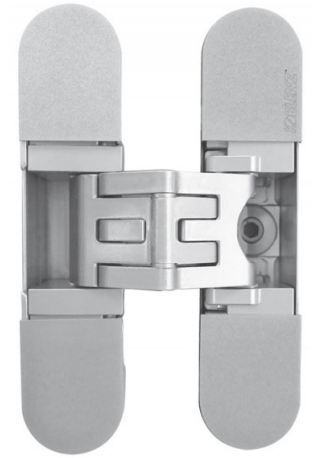
3 DIMENSIONAL ADJUSTABLE HINGE

KUBICA 27 K2700

SERIES 802700

TECHNICAL DATA	
Maximum Capacity (3 Hinges)	60 kg
Minimum Door Thickness	35 mm
Maximum Door Thickness	45 mm
Opening Angle	180°
Box	3
Case	12

FINISH	
Polished Gold	802700PG
Satin Chrome	802700SC
Satin Nickel	802700SN

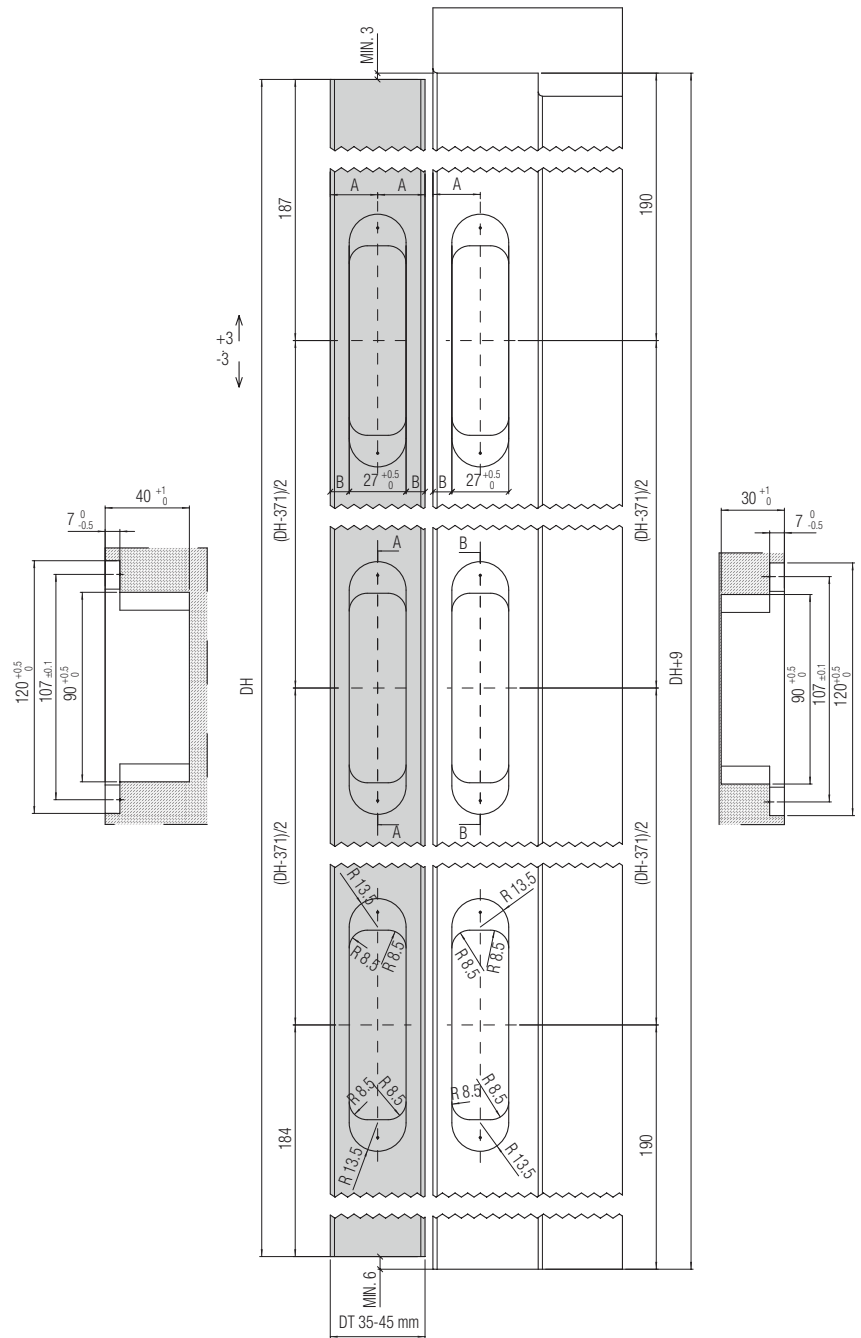


3 DIMENSIONAL ADJUSTABLE HINGE

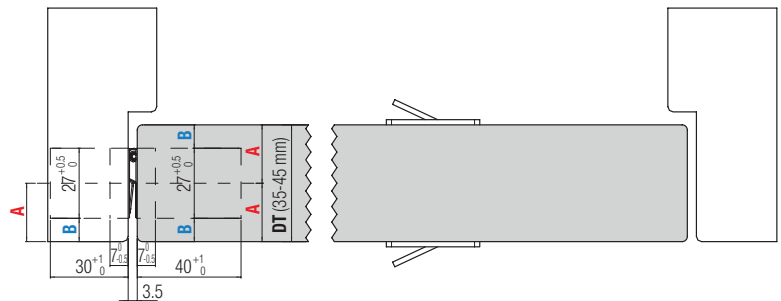
Routing Template



80K270



DT (MM)	A (MM)	B (MM)
35	17.5	4
40	20	6.5
45	22.5	9



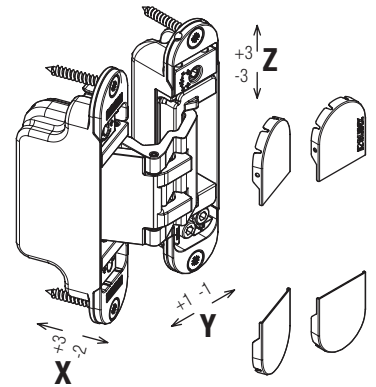
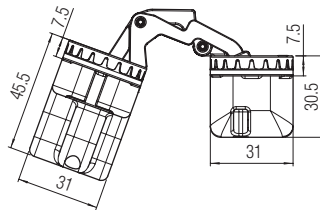
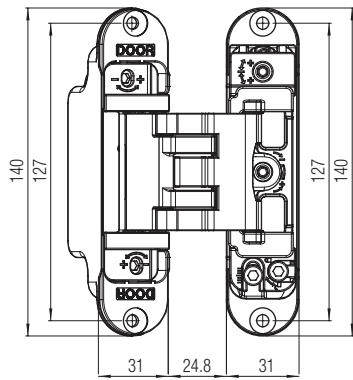
3 DIMENSIONAL ADJUSTABLE HINGE

KUBICA KUBIQUADRA K3000

SERIES 803000

TECHNICAL DATA	
Maximum Capacity (2 Hinges)	45 kg
Maximum Capacity (3 Hinges)	60 kg
Minimum Door Thickness	45 mm
Opening Angle	160°
Box	3
Case	12

FINISH	
Polished Gold	803000PG
Satin Chrome	803000SC
Satin Nickel	803000SN

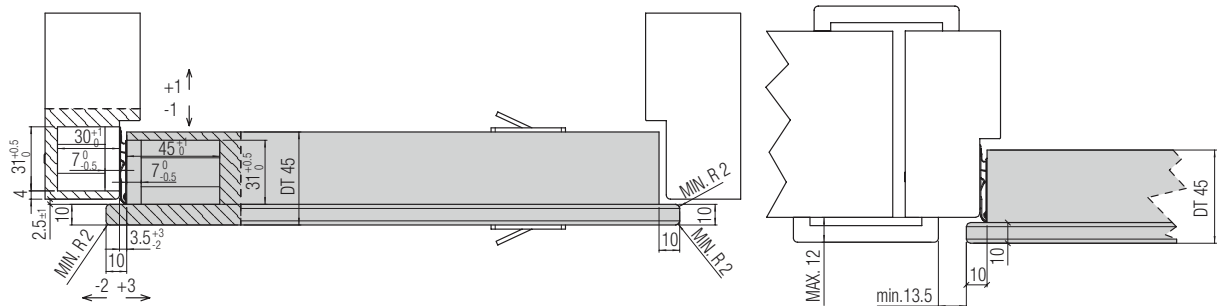
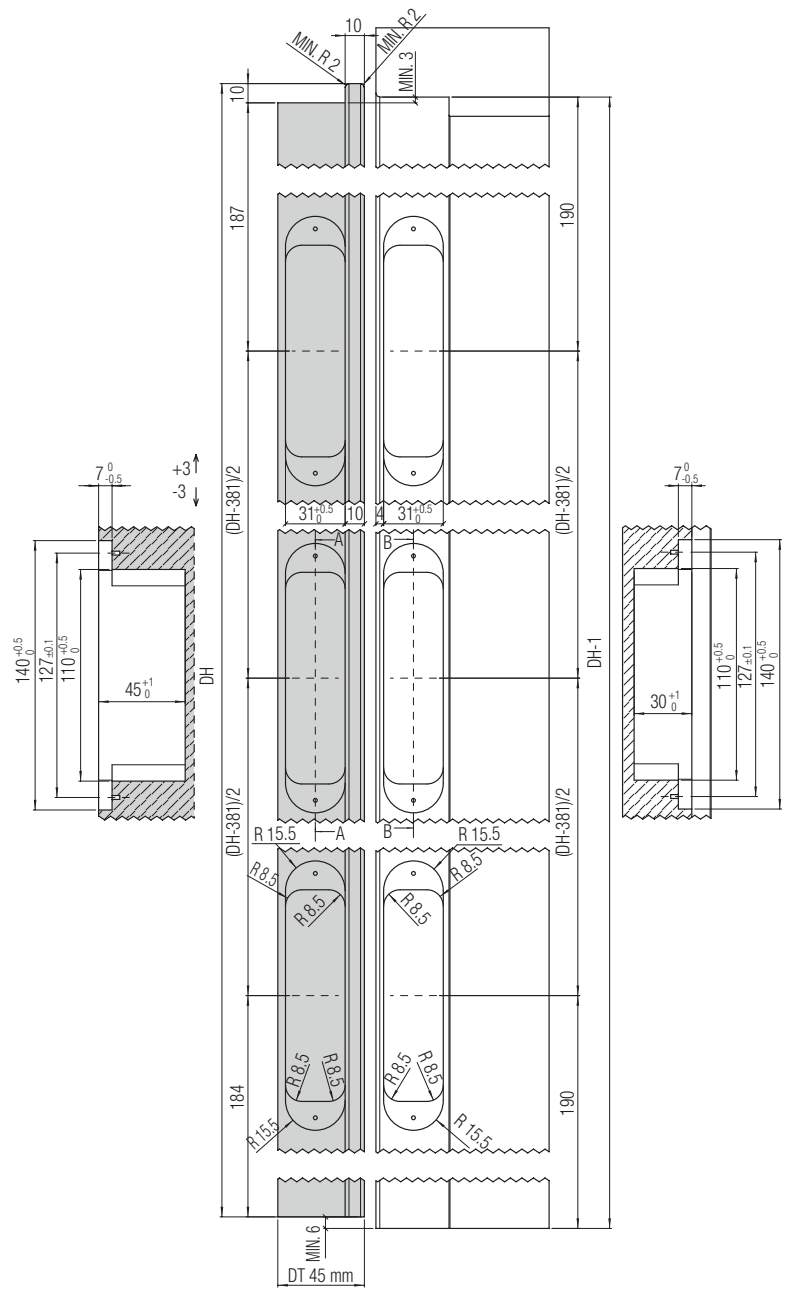


3 DIMENSIONAL ADJUSTABLE HINGE

Routing Template



80K300



3 DIMENSIONAL ADJUSTABLE HINGE

KUBICA K5080

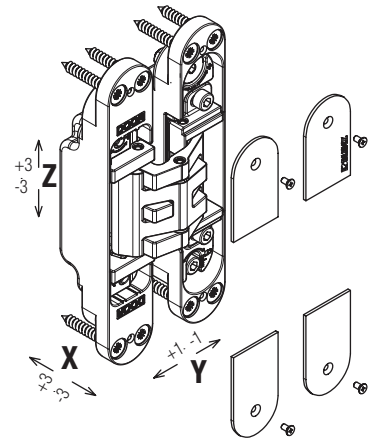
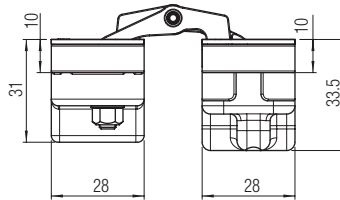
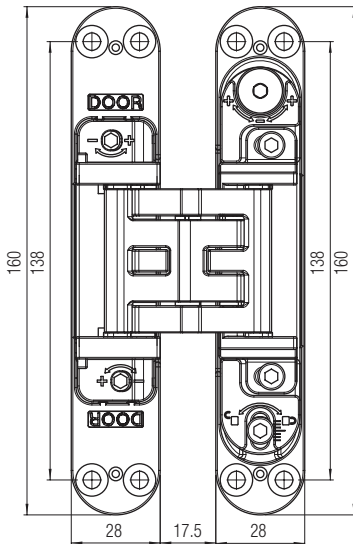
SERIES 805080

TECHNICAL DATA		FINISH	
Maximum Capacity (2 Hinges)	80 kg	Polished Gold	805080PG
Minimum Door Thickness	40 mm	Satin Chrome	805080SC
Opening Angle	180°	Satin Nickel	805080SN
Box	2		
Case	12		



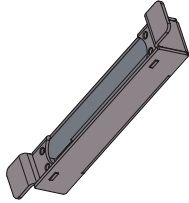
STANDARDS AND CERTIFICATIONS

- UL / ULc / UL10C Listed (R27182)
- Fire Resistance - 30 min.



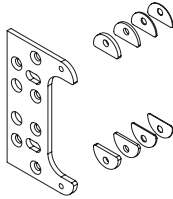
3 DIMENSIONAL ADJUSTABLE HINGE

Steel Frame Mounting Plate



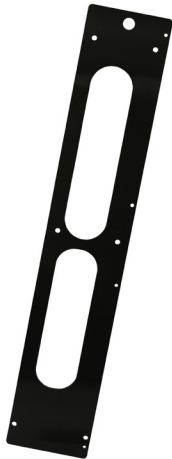
80K508TASCA

Wood Frame Mounting Plate

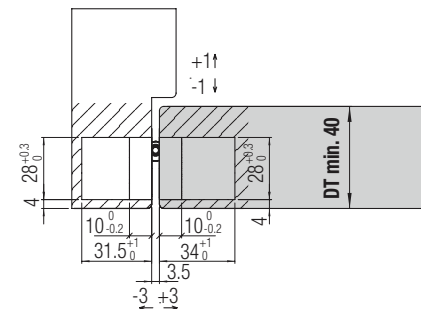
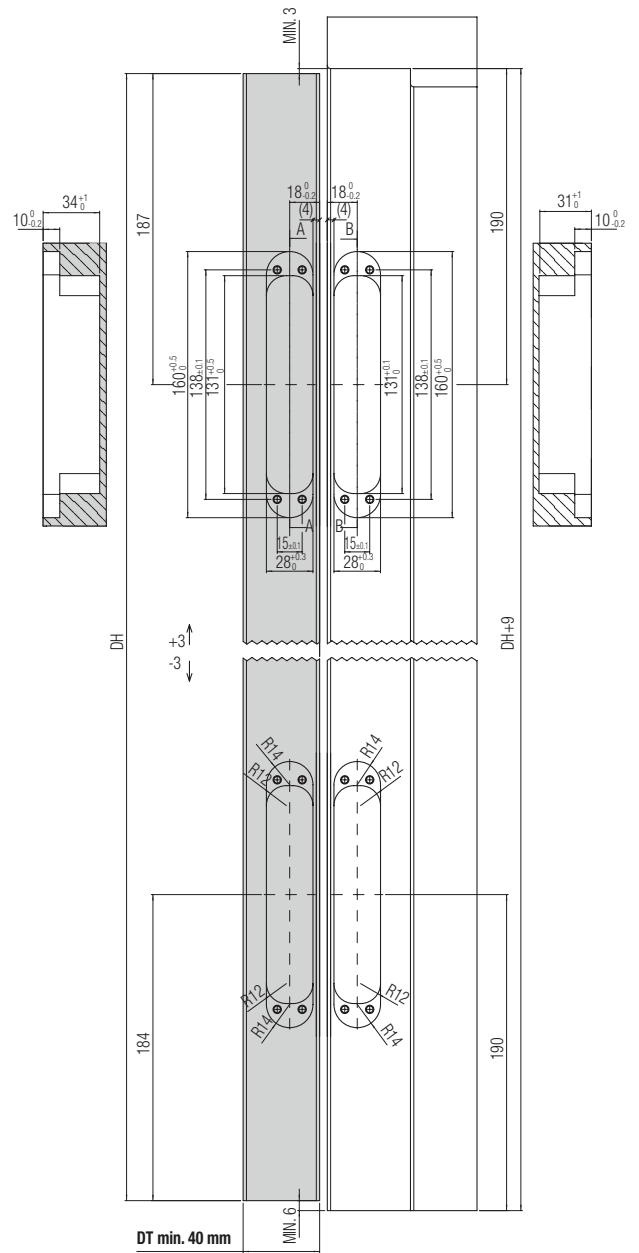


80K508STAFFA

Routing Template



80K508



3 DIMENSIONAL ADJUSTABLE HINGE

KUBICA K6200

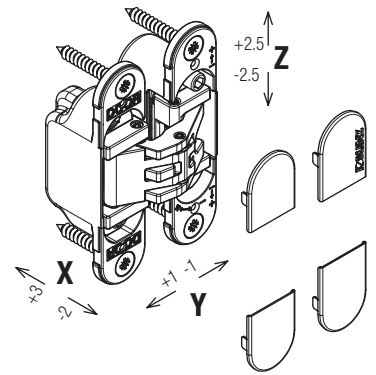
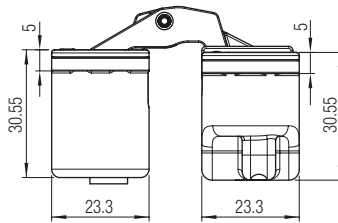
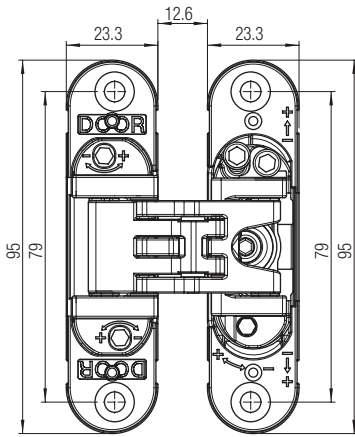
SERIES 806200

TECHNICAL DATA		FINISH	
Maximum Capacity (2 Hinges)	45 kg	Polished Chrome	806200PC
Maximum Capacity (3 Hinges)	60 kg	Polished Gold	806200PG
Minimum Door Thickness	32 mm	Satin Chrome	806200SC
Opening Angle	180°	Satin Nickel	806200PSN
Box	3	Polished White	806200PW
Case	27		



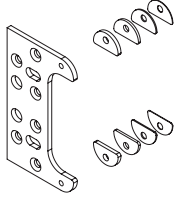
STANDARDS AND CERTIFICATIONS

- UL / ULc / UL10C Listed (R27182)
- Fire Resistance - 30 min.



3 DIMENSIONAL ADJUSTABLE HINGE

Wood Frame Mounting Plate

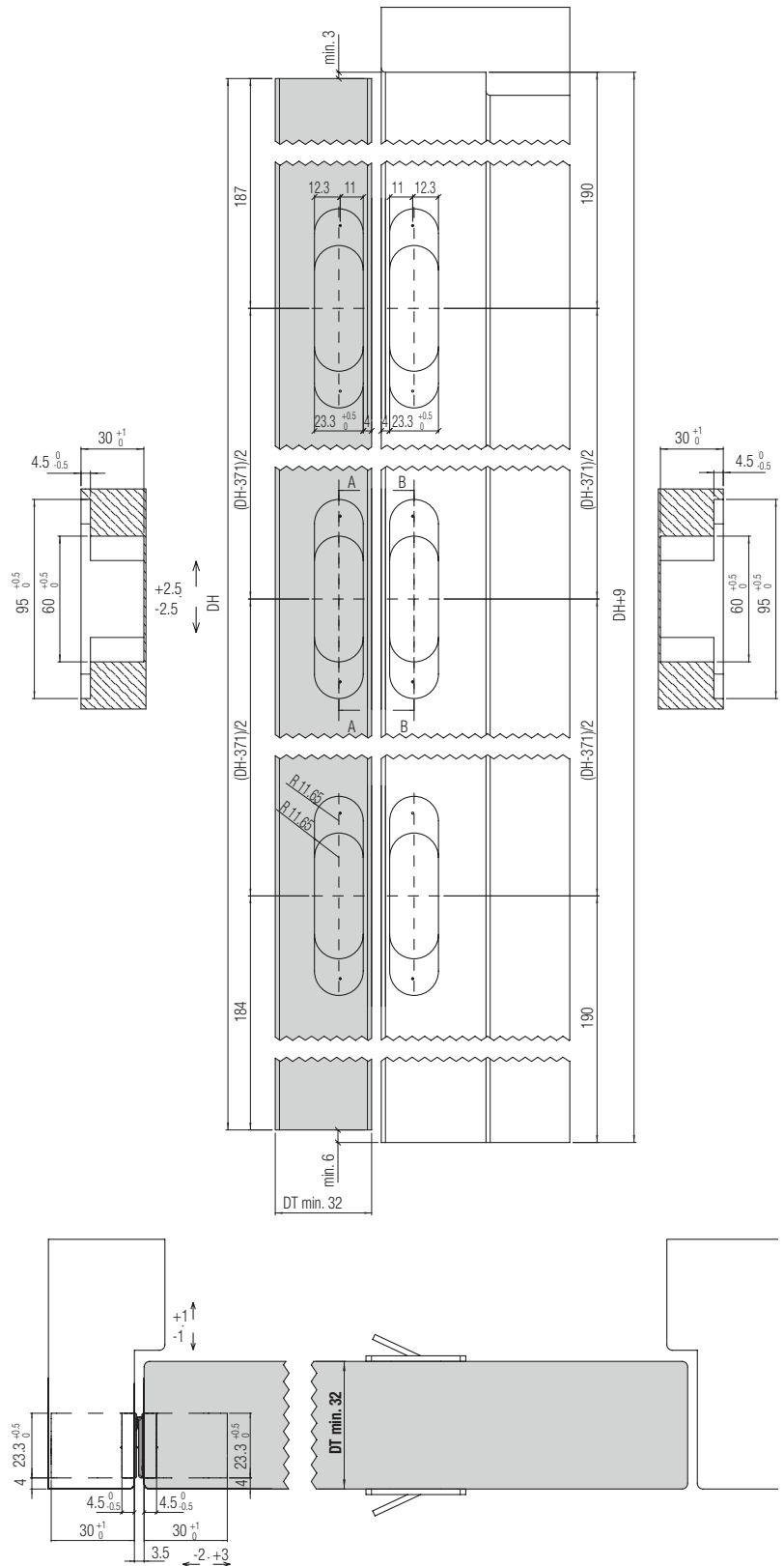


80K620STAFFA

Routing Template



80K620



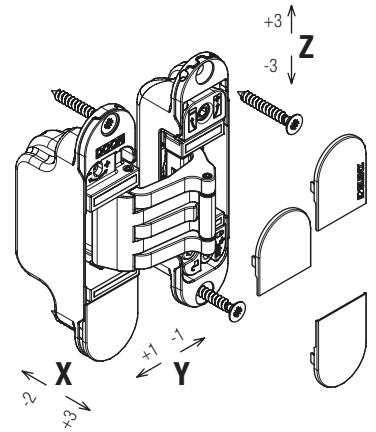
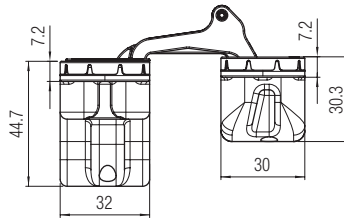
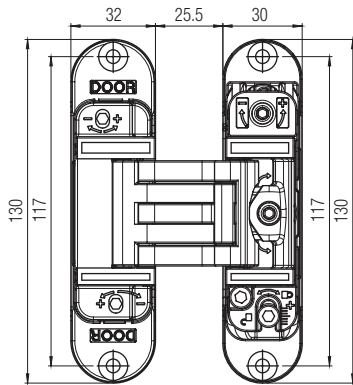
3 DIMENSIONAL ADJUSTABLE HINGE

KUBICA K6300

SERIES 806300

TECHNICAL DATA	
Maximum Capacity (3 Hinges)	60 kg
Minimum Door Thickness	40 mm
Opening Angle	180°
Box	3
Case	12

FINISH	
Satin Chrome	806300SC
Satin Nickel	806300SN



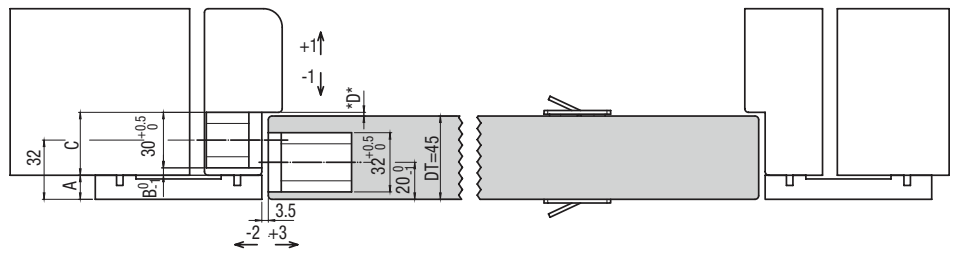
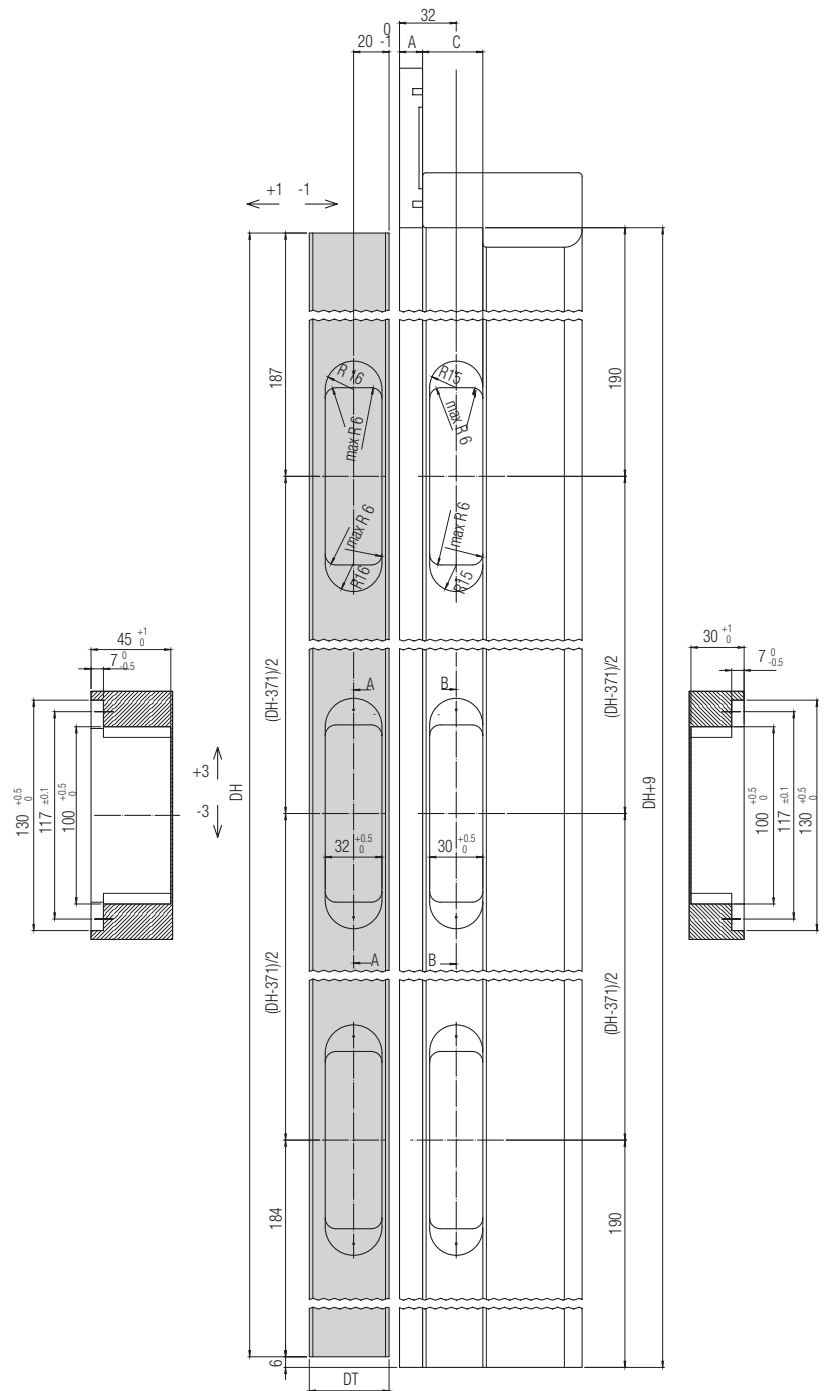
3 DIMENSIONAL ADJUSTABLE HINGE

Routing Template



80K630

DT (MM)	A (MM)	B (MM)	C (MM)	D (MM)
45	13	4	34	min. 2
45	12	5	35	min. 2
45	11	6	36	min. 2
45	10	7	37	min. 2
45	9	8	38	min. 2
45	8	9	39	min. 2



3 DIMENSIONAL ADJUSTABLE HINGE

KUBICA KUBICENTER K6400

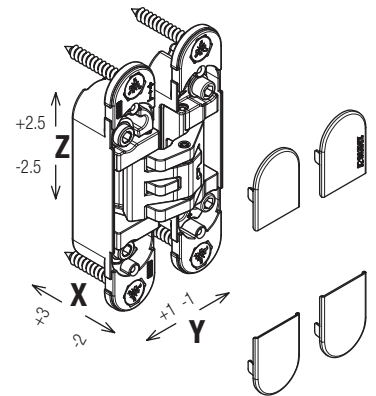
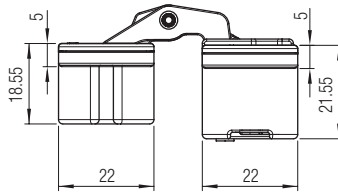
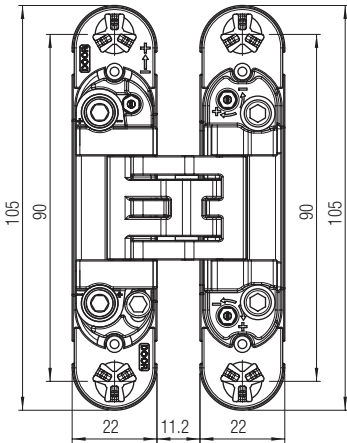
SERIES 806400

TECHNICAL DATA

Maximum Capacity (2 Hinges)	30 kg
Maximum Capacity (3 Hinges)	45 kg
Minimum Door Thickness	30 mm
Opening Angle	180°
Case	18

FINISH

Polished Gold	806400PG
Satin Chrome	806400SC
Satin Nickel	806400SN

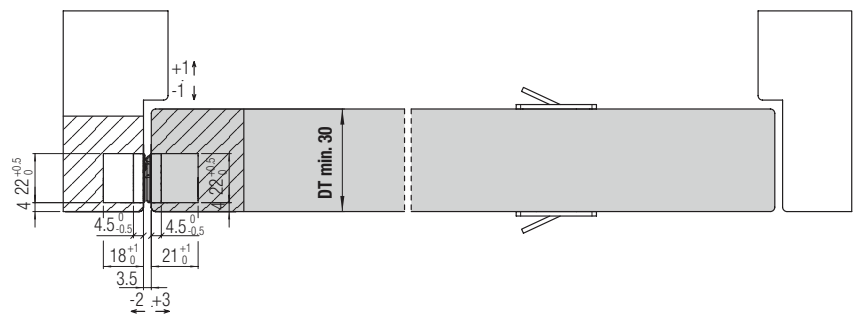
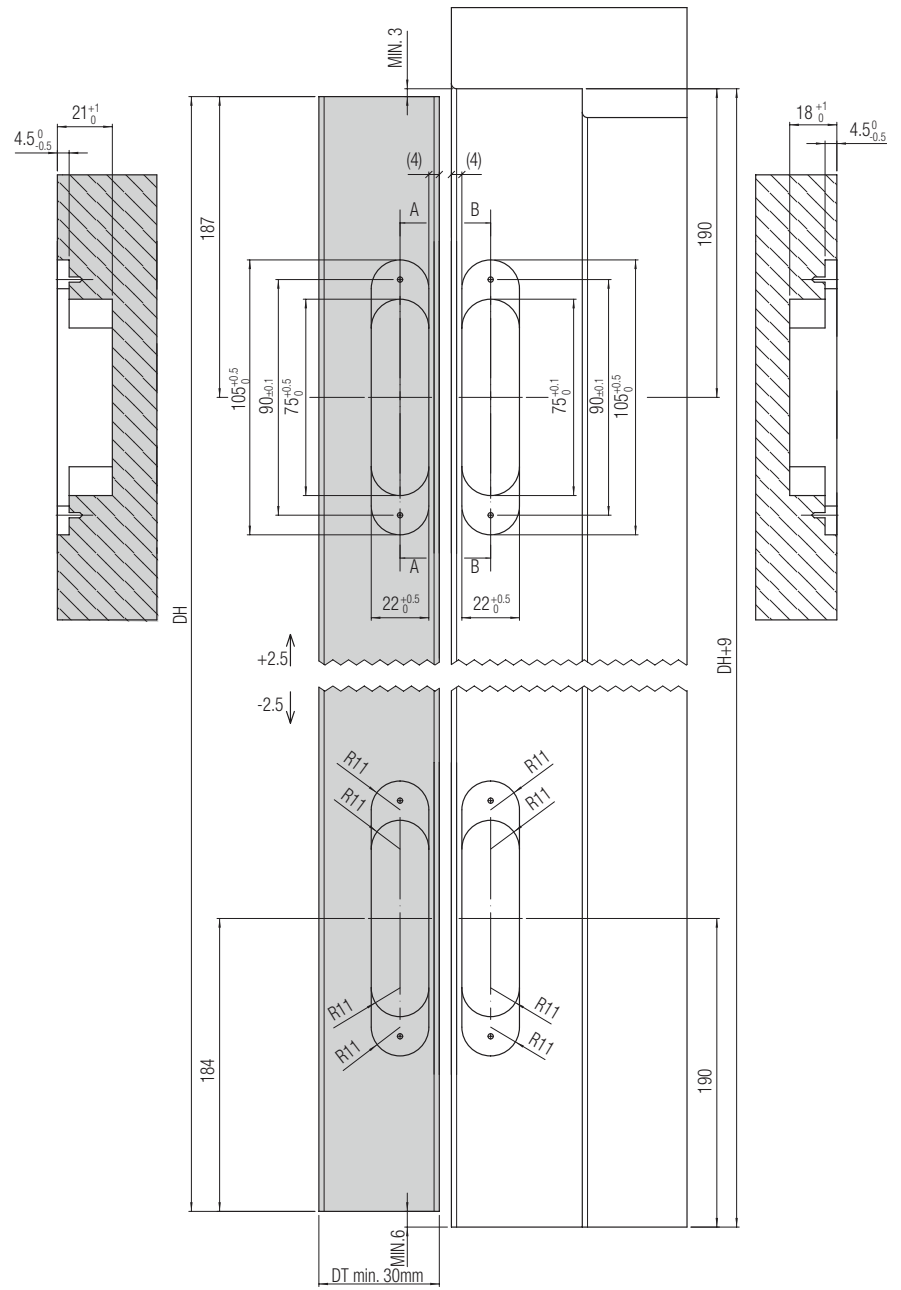


3 DIMENSIONAL ADJUSTABLE HINGE

Routing Template



80K640



3 DIMENSIONAL ADJUSTABLE HINGE

KUBICA K6700

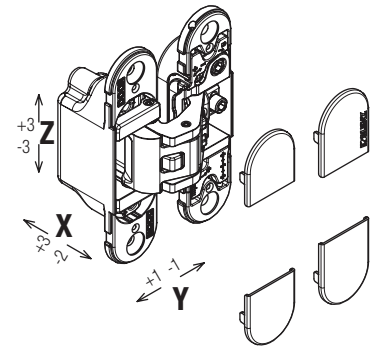
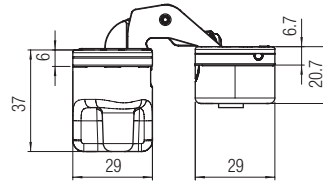
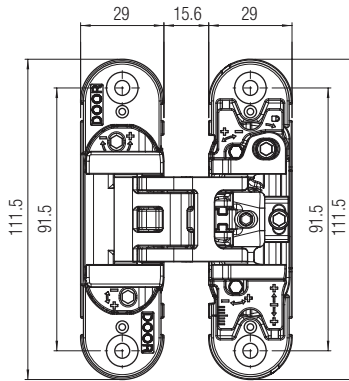
SERIES 806700

TECHNICAL DATA		FINISH	
Maximum Capacity (2 Hinges)	50 kg	Polished Gold	806700G
Maximum Capacity (3 Hinges)	70 kg	Satin Chrome	806700C
Minimum Door Thickness	40 mm	Satin Nickel	806700N
Opening Angle	180°		
Box	3		
Case	27		



STANDARDS AND CERTIFICATIONS

- UL / ULc / UL10C Listed (R27182)
- Fire Resistance - 30 min.

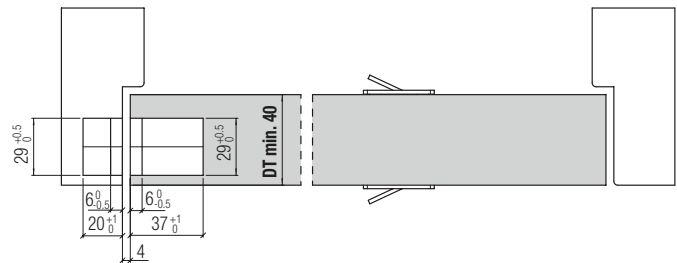
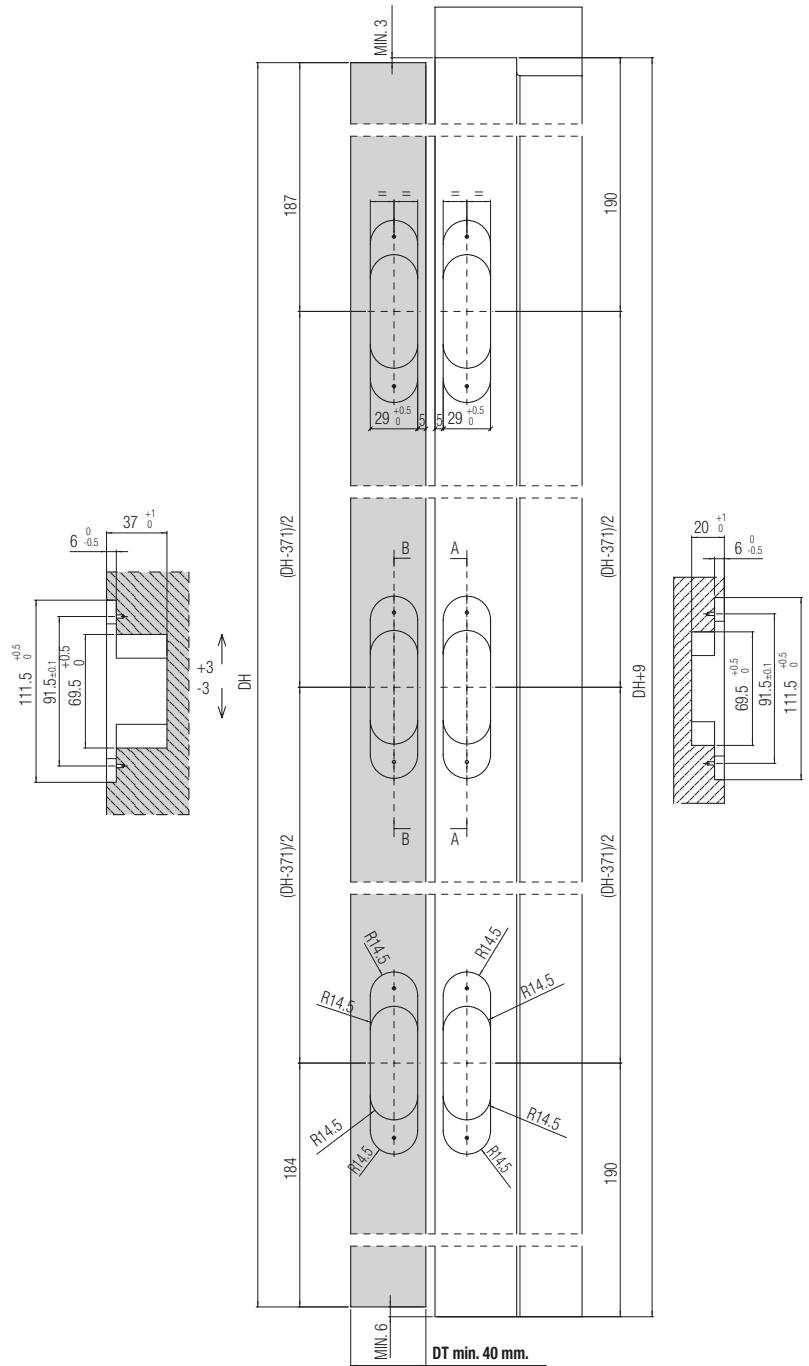


3 DIMENSIONAL ADJUSTABLE HINGE

Routing Template



80K670



UNIVERSAL ROUTING JIG

Compatible with our listed routing templates.
Made from aluminum.

ITEM NO.

80KDIMA

