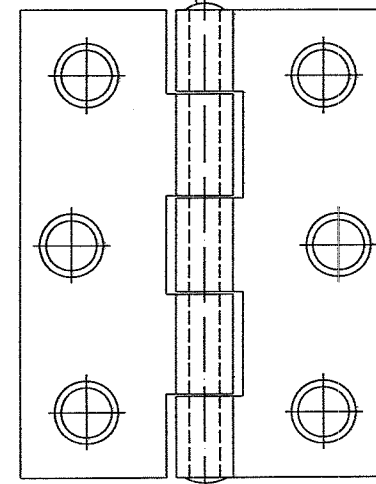
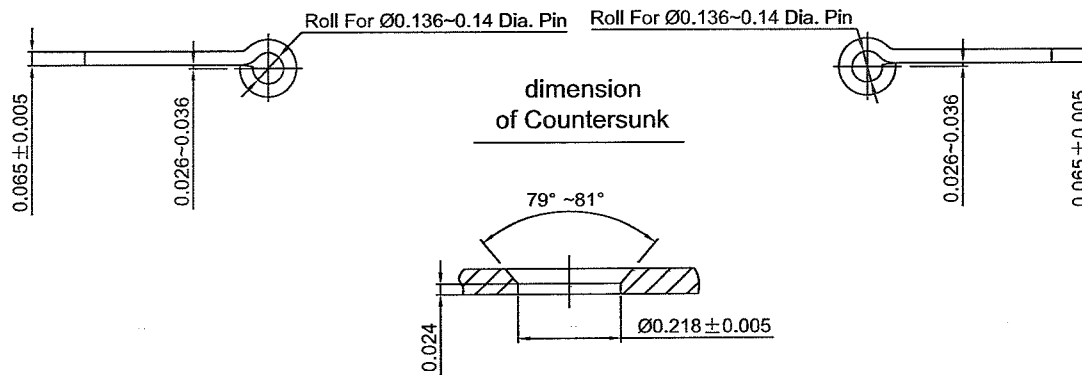


Narrow Butt Hinge With Loose Pin
Ø0.136~0.140 Dia. Pin
Spun on the Ends



Narrow Butt Hinge With Fixed Pin



Tolerance
All Tolerance unless
otherwise noted : $\pm 0.015''$

						Narrow Butt Hinge 3"x2"				
MARKER	COUNT	AREA	REVISION	APPROVE	DATE	REVISION	WEIGHT	SCALE	DRAWING NO	PROJECTION
DRAWING			STANDARDIZATION							
DESIGNING									MATERIAL	UNITS
CHECK										
TECHNICS			APPROVE			TOTAL PAGE	NO 1 PAGE	FINISH		TOLERANCE