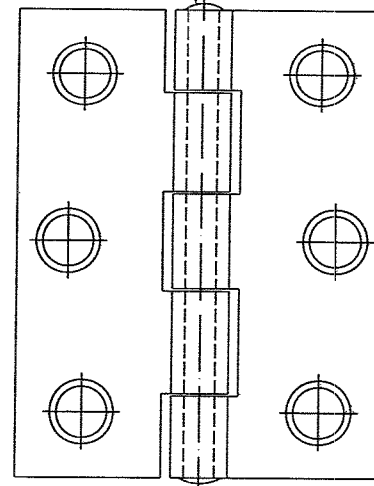
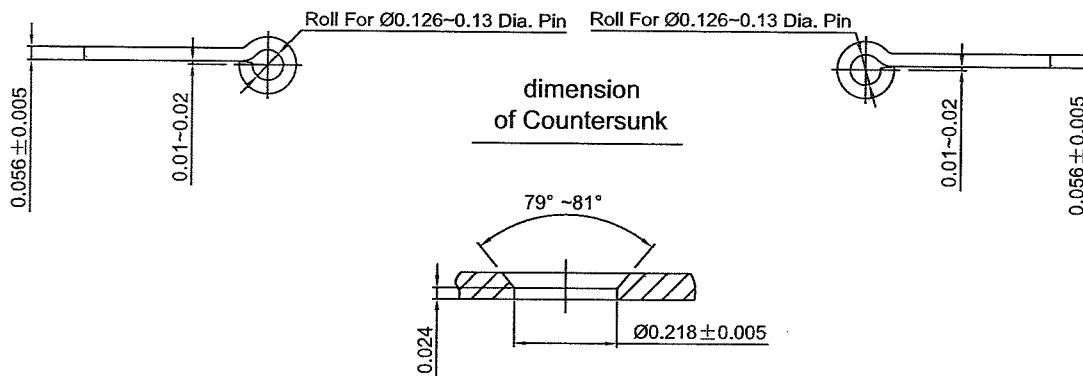


Narrow Butt Hinge With Loose Pin

Ø.126~0.130 Dia. Pin
Spun on the Ends



Narrow Butt Hinge With Fixed Pin



Tolerance
All Tolerance unless
otherwise noted : ± 0.015"

					Narrow Butt Hinge 2-1/2"x1-5/8"					
MARKER	COUNT	AREA	REVISION	APPROVE	DATE	REVISION	WEIGHT	SCALE	DRAWING NO	PROJECTION
DESIGNING			STANBIZATION						MATERIAL	UNITS
CHECK									FINISH	TOLERANCE
TECHNICS			APPROVE			TOTAL 1 PAGE	NO: PAGE			