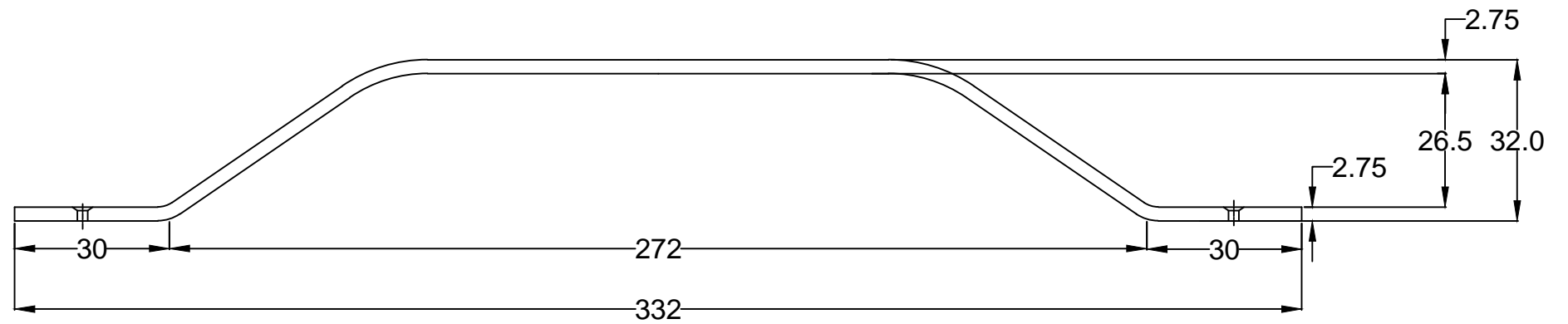
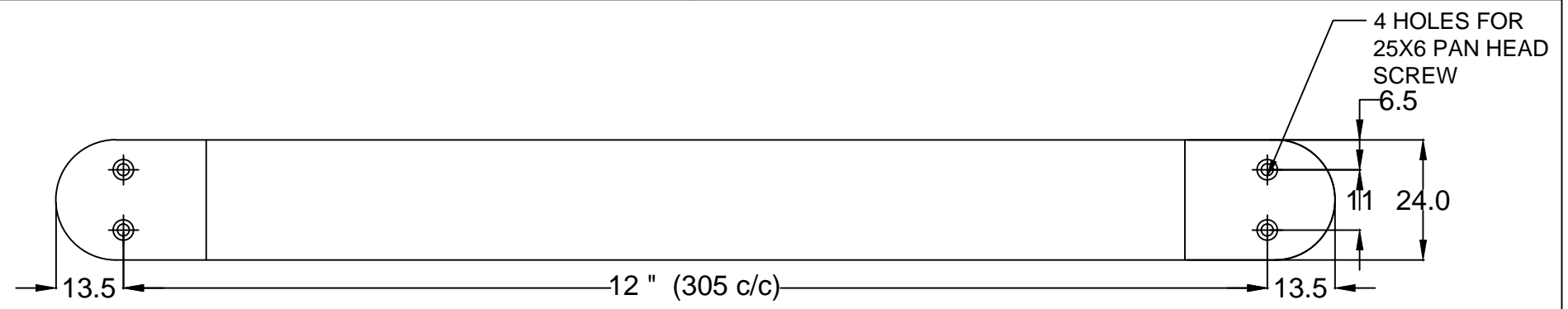


JINTAN INTERNATIONAL

ITEM CODE : PHF-02

ITEM : PULL HANDLE - FALCON



- NOTE- 1. No Sharp Edges
 2. Finish AS per Appd Sample
 3. General tols. ± 1 mm

All Dimensions are in mm

			SIGN	DATE	MATERIAL : IRON
	DRAWN	A.Chauhan			SCALE: 1:1
	CHECKED	R.K.Sharma			
	APPROVED	J.K.Jain			