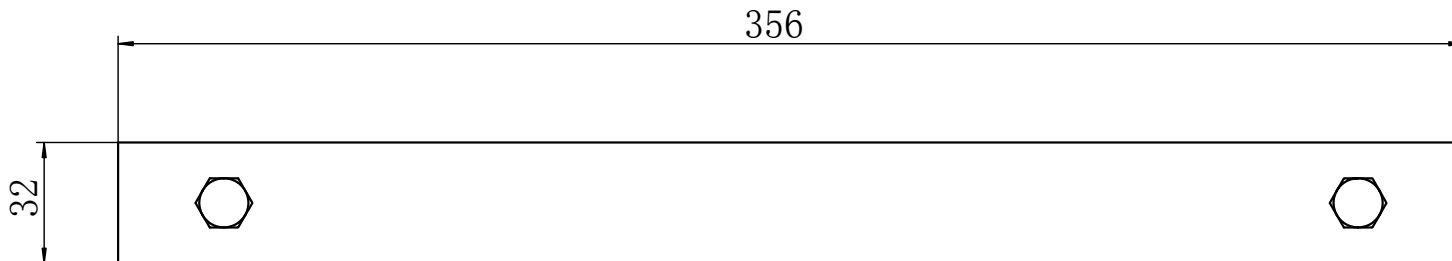
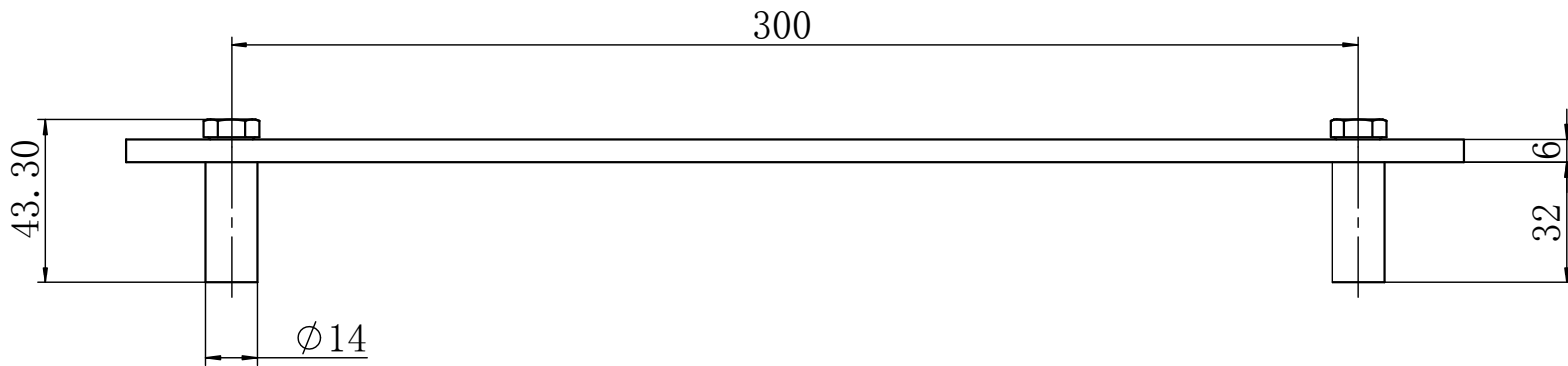
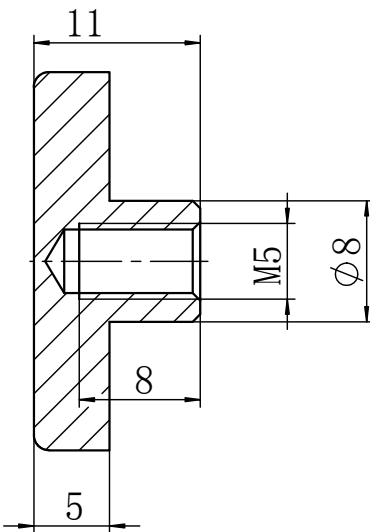
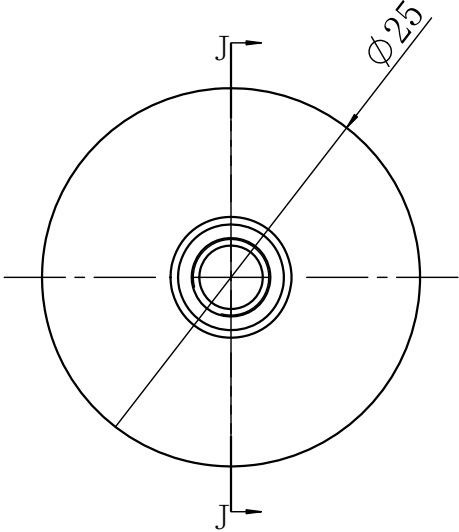
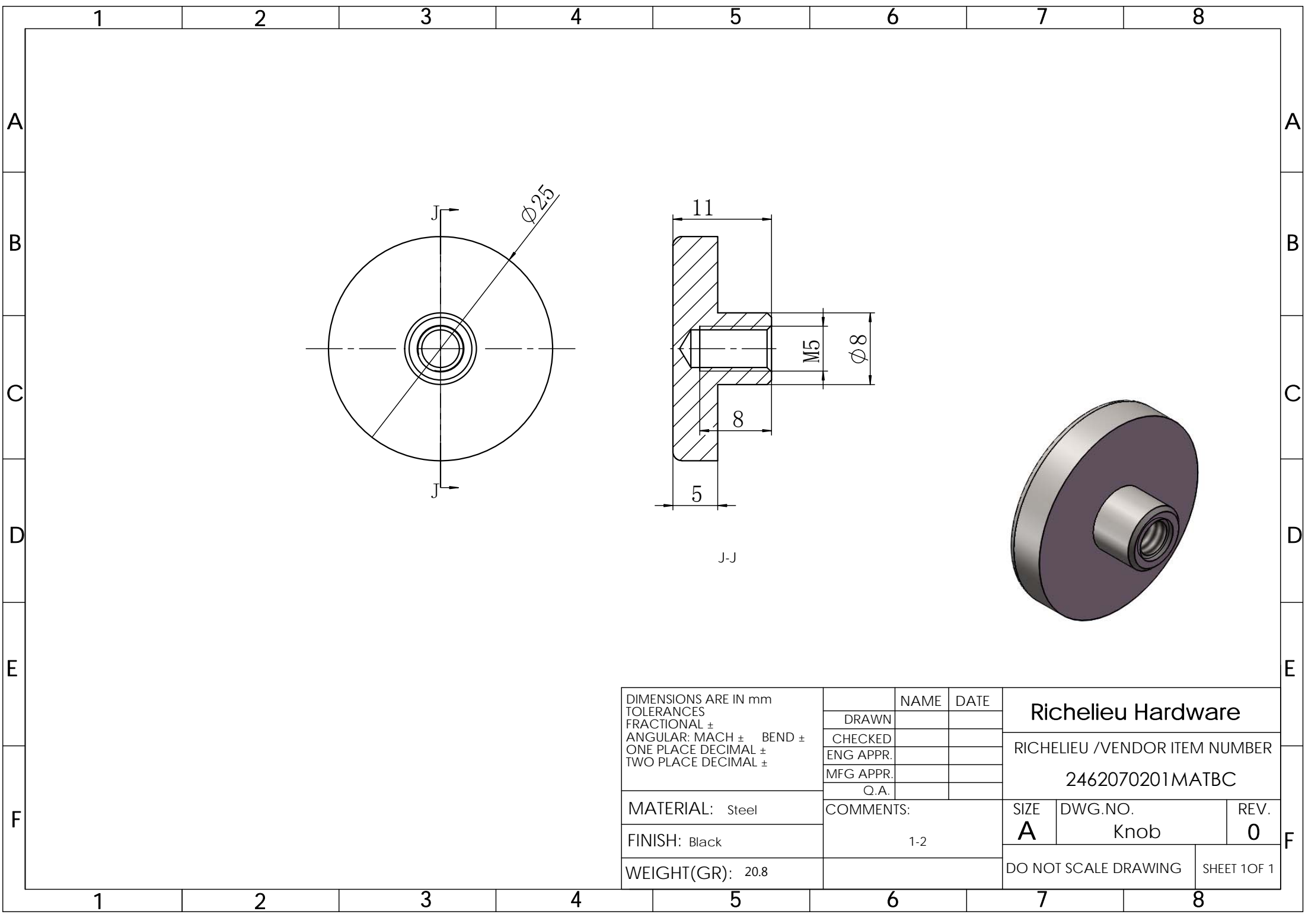


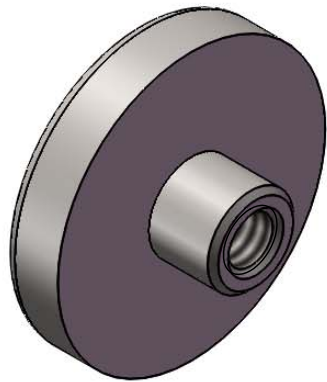
Item	DWG NO	Quantity	DIMENSIONS ARE IN mm TOLERANCES FRACTIONAL ± ANGULAR: MACH ± BEND ± ONE PLACE DECIMAL ± TWO PLACE DECIMAL ±	NAME	DATE	Richelieu Hardware		
1	Handle	1	MATERIAL: Steel FINISH: Black WEIGHT(GR): 800.95	DRAWN		RICHELIEU /VENDOR ITEM NUMBER		
2	Knob	2		CHECKED		2462070201MATBC		
3	Washer	2		MFG APPR.		SIZE	DWG.NO.	REV.
4	Washer	2		Q.A.		A	Handle	0
5	Screw	2		COMMENTS:	1	DO NOT SCALE DRAWING		SHEET 1OF 1



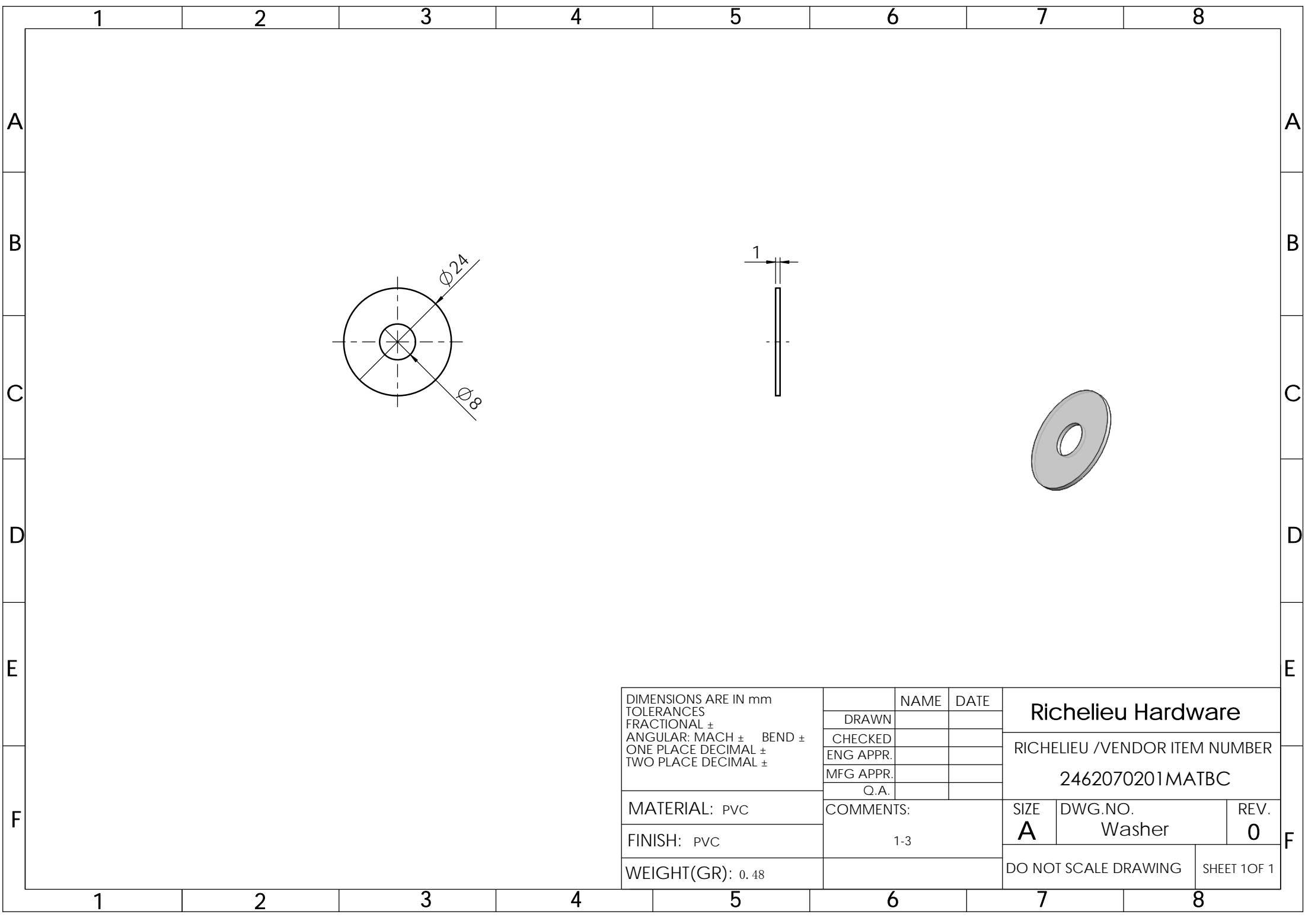
DIMENSIONS ARE IN mm TOLERANCES FRACTIONAL ± ANGULAR: MACH ± BEND ± ONE PLACE DECIMAL ± TWO PLACE DECIMAL ±		NAME	DATE	Richelieu Hardware		
	DRAWN					RICHELIEU /VENDOR ITEM NUMBER 2462070201 MATBC
	CHECKED					
	ENG APPR.					
	MFG APPR.					
	Q.A.			SIZE	DWG.NO.	REV.
MATERIAL: Steel	COMMENTS: 1-1		A		Handle	0
FINISH: Black			DO NOT SCALE DRAWING		SHEET 1 OF 1	
WEIGHT(GR): 612.75						



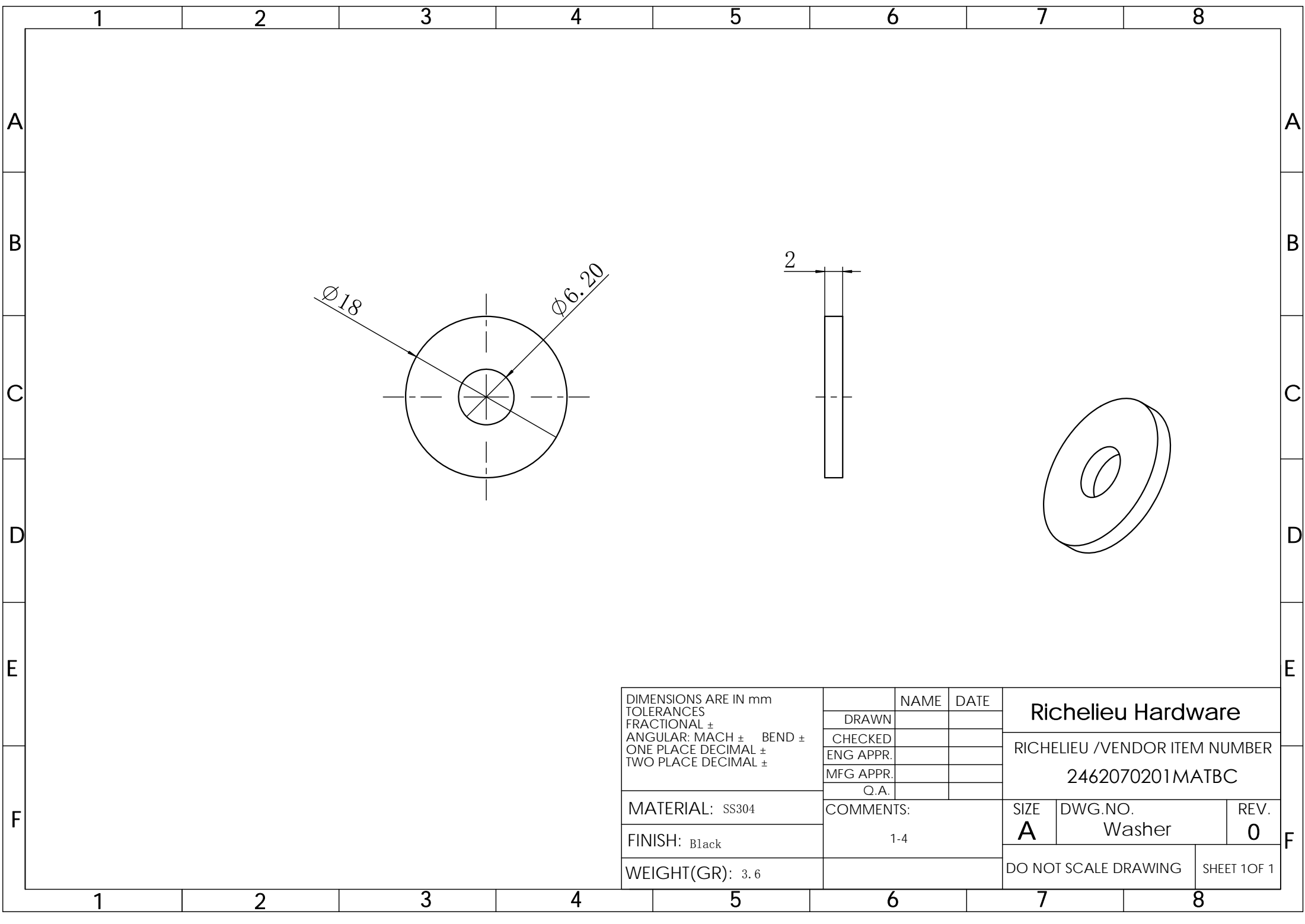
J-J



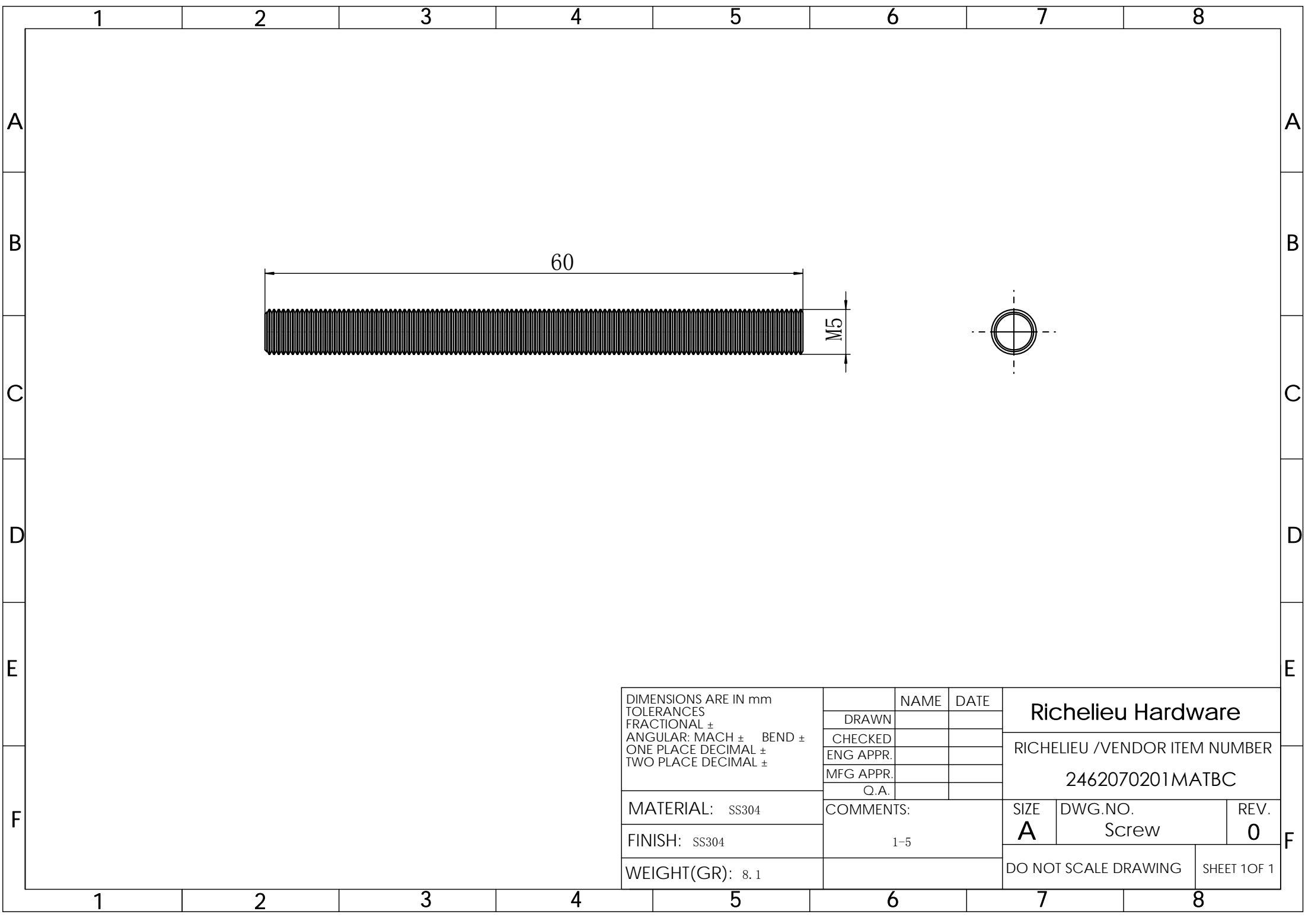
DIMENSIONS ARE IN mm TOLERANCES FRACTIONAL ± ANGULAR: MACH ± BEND ± ONE PLACE DECIMAL ± TWO PLACE DECIMAL ±		NAME	DATE	Richelieu Hardware		
	DRAWN					RICHELIEU /VENDOR ITEM NUMBER 2462070201MATBC
	CHECKED					
	ENG APPR.					
	MFG APPR.					
	Q.A.			SIZE	DWG.NO.	REV.
MATERIAL: Steel	COMMENTS: 1-2		A Knob		0	
FINISH: Black			DO NOT SCALE DRAWING		SHEET 1OF 1	
WEIGHT(GR): 20.8						



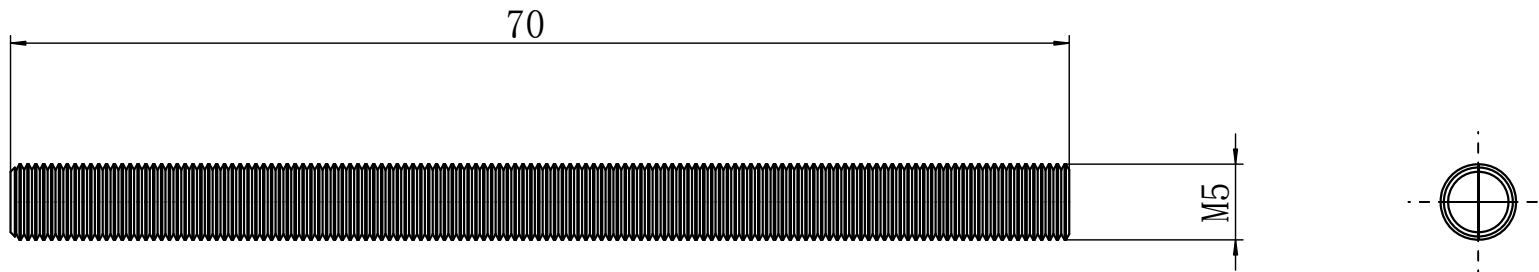
DIMENSIONS ARE IN mm TOLERANCES FRACTIONAL ± ANGULAR: MACH ± BEND ± ONE PLACE DECIMAL ± TWO PLACE DECIMAL ±		NAME	DATE	Richelieu Hardware		
	DRAWN					RICHELIEU /VENDOR ITEM NUMBER 2462070201MATBC
	CHECKED					
	ENG APPR.					
	MFG APPR.					
	Q.A.			SIZE	DWG.NO.	REV.
MATERIAL: PVC	COMMENTS:			A	Washer	0
FINISH: PVC	1-3			DO NOT SCALE DRAWING		SHEET 1OF 1
WEIGHT(GR): 0.48						



DIMENSIONS ARE IN mm TOLERANCES FRACTIONAL \pm ANGULAR: MACH \pm BEND \pm ONE PLACE DECIMAL \pm TWO PLACE DECIMAL \pm		NAME	DATE	Richelieu Hardware		
	DRAWN					RICHELIEU /VENDOR ITEM NUMBER 2462070201MATBC
	CHECKED					
	ENG APPR.					
	MFG APPR.					
	Q.A.			SIZE	DWG.NO.	REV.
MATERIAL: SS304	COMMENTS:			A	Washer	0
FINISH: Black	1-4			DO NOT SCALE DRAWING		SHEET 1OF 1
WEIGHT(GR): 3.6						



DIMENSIONS ARE IN mm TOLERANCES FRACTIONAL ± ANGULAR: MACH ± BEND ± ONE PLACE DECIMAL ± TWO PLACE DECIMAL ±		NAME	DATE	Richelieu Hardware		
	DRAWN					RICHELIEU /VENDOR ITEM NUMBER 2462070201MATBC
	CHECKED					
	ENG APPR.					
	MFG APPR.					
	Q.A.			SIZE	DWG.NO.	REV.
MATERIAL: SS304	COMMENTS: 1-5		A Screw		0	
FINISH: SS304			DO NOT SCALE DRAWING		SHEET 1OF 1	
WEIGHT(GR): 8.1						



DIMENSIONS ARE IN mm TOLERANCES FRACTIONAL ± ANGULAR: MACH ± BEND ± ONE PLACE DECIMAL ± TWO PLACE DECIMAL ±		NAME	DATE	Richelieu Hardware		
	DRAWN					RICHELIEU /VENDOR ITEM NUMBER 2462070201MATBC
	CHECKED					
	ENG APPR.					
	MFG APPR.					
	Q.A.			SIZE	DWG.NO.	REV.
MATERIAL: SS304	COMMENTS: 2		A Screw		0	
FINISH: SS304			DO NOT SCALE DRAWING		SHEET 1OF 1	
WEIGHT(GR): 10						