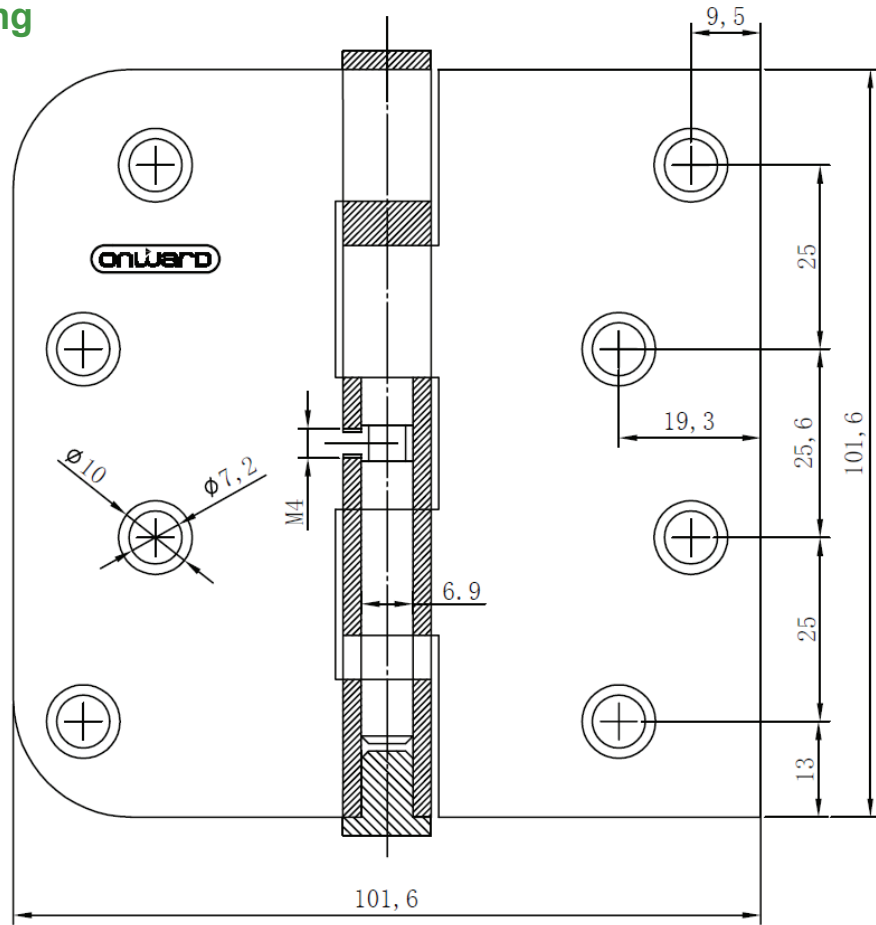
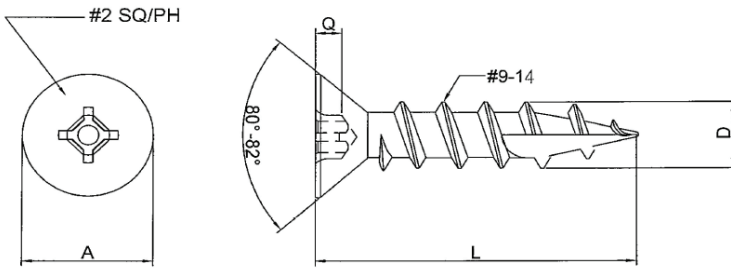


Dimensional Drawing



Screws



代 號	A	Q	D
名 稱	HEAD DIA	RECESS DEPTH	MAJOR DIA
# 9	0.316-0.358	0.060-0.075	0.170-0.181

L (SCREW LENGTH)	
UP TO 5/8"	+0/-0.03
OVER 5/8 TO 1"	+0/-0.05

Each hinge comes with:

- 4 wood screws #9 x 3/4", flat-head, Quadrex drive, coarse full-thread, type-17 self tapping tip
- 4 wood screws #9 x 1-1/8", flat-head, Quadrex drive, coarse full-thread, type-17 self tapping tip